

FUZE WASH FR



The **FUZE WASH FR™** is an automated LED Fresnel wash fixture designed for theater, television, events and a wide array of other precision lighting applications. A High-CRI engine utilizes a 5-color homogenized LED array consisting of Red, Green, Blue, Mint, and Amber sources. The carefully tuned LEDs ensure accurate color reproduction while delivering a powerful output of up to 14,000 lumens and maximum CRI of 92. Virtual color temperature, Magenta / Green adjustment plus CMY emulation provide the designer with immediate access to the impressive LED color array.

The FUZE WASH FR is designed for any application where an automated Fresnel fixture with outstanding and impactful colors, a wide zoom range and framing beam control with a soft field is required.

KEY FEATURES

- 480W Full Spectrum RGBMA LED Engine
- Up to 14,000 Total Lumen Fixture Output @ 6,500K
- CRI up to 92
- Internal 4-Blade Framing Module
- Variable Frost and Iris for advanced beam control
- Wide Zoom Range from 8.2° to 42.1° (Beam) , 12.7° to 62.1° (Field)
- Variable 16-bit Dimming Curve Modes
- CMY Emulation
- Virtual Color Correction
- Green/Magenta Shift
- Virtual Gel Swatch Book



Elation Professional USA
6122 S. Eastern Ave. | Los Angeles, CA. 90040
323-582-3322 | info@elationlighting.com

Elation Professional B.V.
Junostraat 2 | 6468 EW Kerkrade, The Netherlands
+31 45 546 85 66 | info@elationlighting.eu

Elation Professional Mexico
AV Santa Ana 30 | Parque Industrial Lerma, Lerma, Mexico 52000
+52 (728) 282-7070

THE IDEAL FUSION OF PERFORMANCE,
FEATURES AND VALUE

ELATION FUZE WASH FR | Technical Specifications

Specifications subject to change without notice ©Elation Professional 07/28/20

SOURCE

480W 6,500K RGBMA (Red, Green, Blue, Mint, Amber) LED Engine
30,000 Hour Average LED Life*

*Test lab conditions. May vary depending on several factors including but not limited to:

Environmental Conditions, Power/Voltage, Usage Patterns (On-Off Cycling), Control, and Dimming.

PHOTOMETRIC DATA

14,000 Total Lumen Fixture Output

EFFECTS

8.2° to 42.1°(Beam) | 12.7° to 62.1° (Field) Motorized Zoom

4 Rotating Full Blackout Framing Blades, +/- 60 Index

Variable Frost Filter

Iris

Variable 16-bit Dimming Curve Modes

High Speed Electronic Shutter and Strobe

COLOR

RGBMA Color Array

CMY Emulation

Virtual Color Correction

Green/Magenta Shift

Virtual Gel Swatch Book

Snoot (included) + Gel Frame (optional)



CONTROL / CONNECTIONS

4 DMX Channel Modes (RGBMA 29 / 47) (CMY 27 / 43)

16-bit Pan, Tilt, and Dimming Control

DMX Adjustable LED Frequency

DMX, RDM Protocol Support

4 Button Touch Control Panel

Full Color 180° Reversible LCD Menu Display

Locking 5pin XLR Connector In/Out

Locking IP65 Power Connector Power In/Out

USB Connection (Firmware Updates)

With Wired Digital Communication Network

SIZE / WEIGHT

Length: 16.06" (408mm)

Width: 10.08" (256mm)

Vertical Height: 26.74" (679.3mm)

Weight: 62 lbs. (28.1kg)

ELECTRICAL / THERMAL

AC 100-240V - 50/60Hz

Max Power Consumption 631W

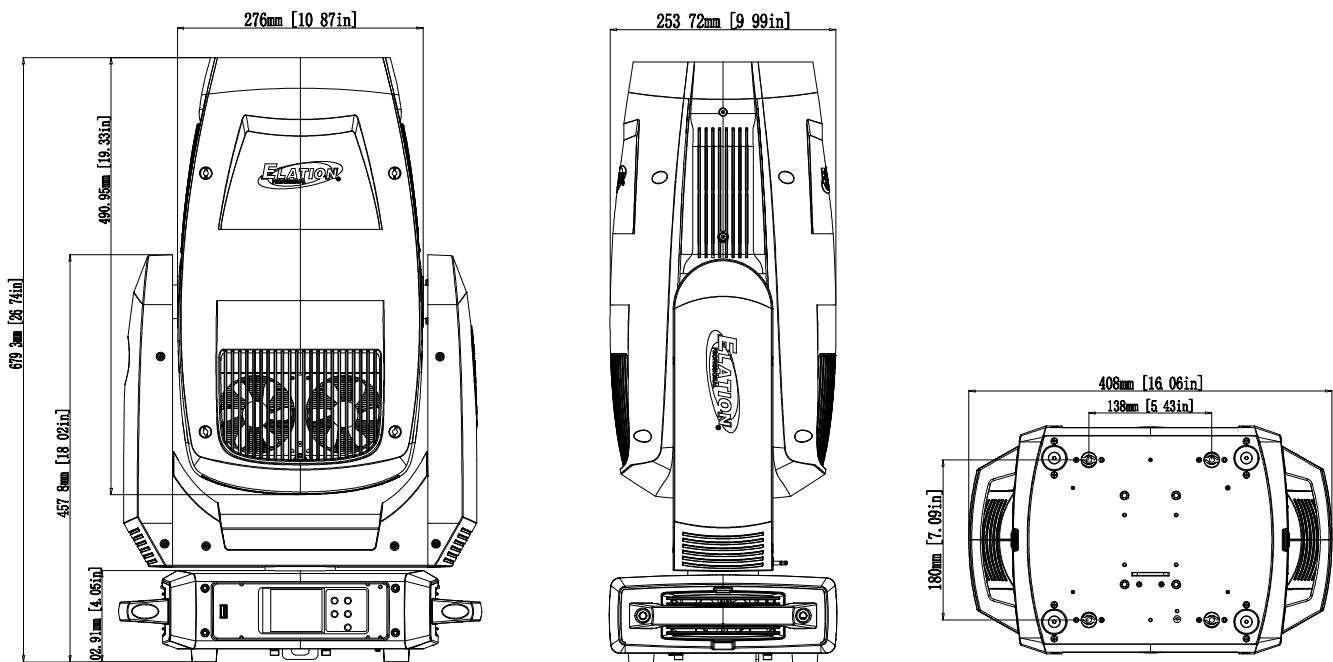
14°F to 113°F (-10°C to 45°C)

BTU/hr (+/- 10%) 2151.71

APPROVALS / RATINGS

CE | cETLus pending | IP20

DIMENSIONAL DRAWINGS (W/OUT SNOOT)



Elation Professional USA
6122 S. Eastern Ave. | Los Angeles, CA, 90040
323-582-3322 | info@elationlighting.com

Elation Professional B.V.
Junostraat 2 | 6468 EW Kerkrade, The Netherlands
+31 45 546 85 66 | info@elationlighting.eu

Elation Professional Mexico
AV Santa Ana 30 | Parque Industrial Lerma, Lerma, Mexico 52000
+52 (728) 282-7070

*DRAWINGS NOT TO SCALE

DIMENSIONAL DRAWINGS (W/SNOOT)

