

# P-6

Wash / Strobe / Flood / Pixel / Blinder LED light



## Description

The P-6 combines the compact size and low power consumption of the P-5 series with the unique optical design and ergonomomy of the P-10. This all-in-one LED luminaire features pixel-mapping control, long-throw capabilities with native 10° front lens, and all the benefits of magnetic easy-fit filter frames. It is a wash light, a strobe, and a blinder in a lightweight and robust design: a must-have multi-purpose LED fixture.

## Features and benefits

- ✓ IP66-rated 10° RGBW LED luminaire with lumen
- ✓ High lux performance in a compact assembly
- ✓ CTC linear control from 2,000K to 10,000K
- ✓ Lightweight and maintenance-free
- ✓ 24 x 24W LEDs with 6 individually controllable segments
- ✓ High-quality dimming performance with color filter emulation
- ✓ Different beam angles available via magnetic easy-fit holographic filter frames
- ✓ User friendly display, wireless control, and integrated handle

## Certifications & classifications

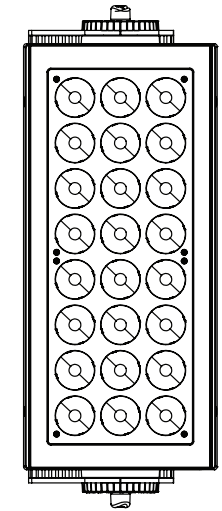
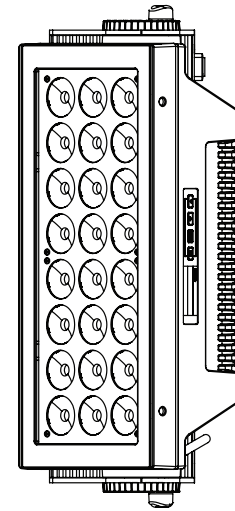
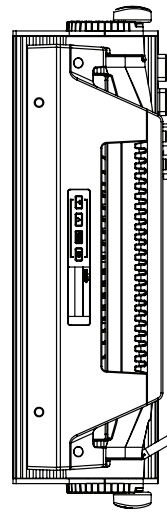
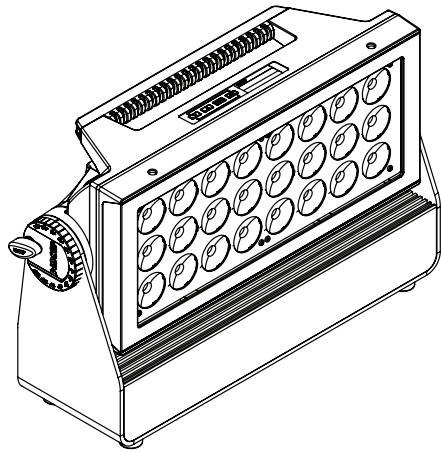
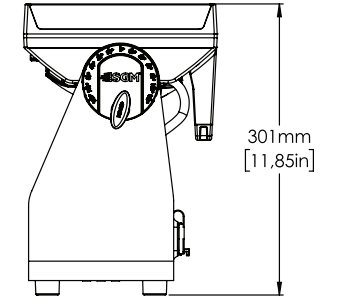
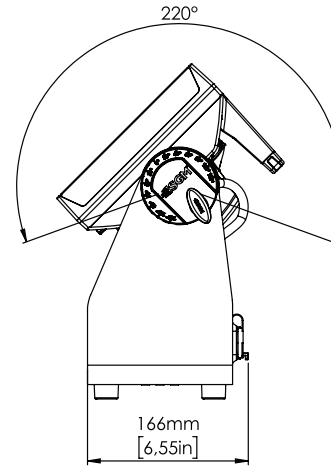
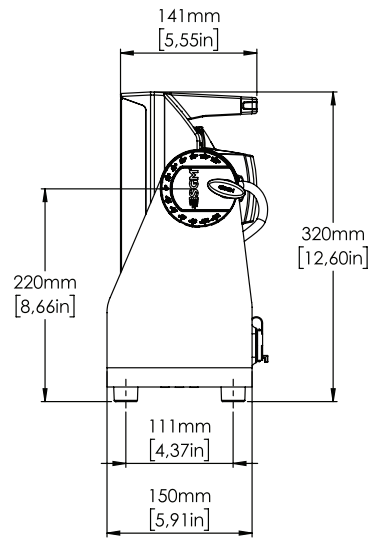
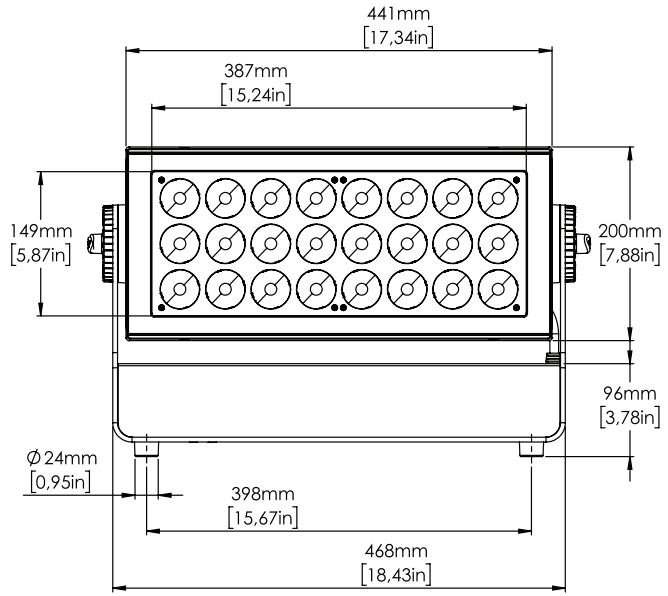
IP66

RoHS

CE

ETL US

ECO FRIENDLY



# Specification

<b>Optical Data</b>	LED expected lifetime	50,000 hours
	Lens	10°
	Lightsource	24 x high-power 24W RGBW LEDs
<b>Photometric</b>	Beam angle(s)	11° (with 10° lens) 18° (with Med filter frame) 47° (with Wide filter frame)
	Color temperature range	2000K - 10000K
	Efficacy	37 lm/W
	Light output all LEDs on	18296 lm
	Light output blue	1469 lm
	Light output green	6369 lm
	Light output red	9057 lm
	Lumen per kilogram	1262 lm / Kg
	Lux @ 10m	3546 lux
	Lux @ 3m	39400 lux
	Lux @ 5m	14183 lux
	Maximum Field Angle	21.8 °
	<b>Physical</b>	Color options
IP class		IP66
Lens material		Tempered glass front
Material		Aluminium PC/ASA Rubber Steel
Net dimensions		508 x 320 x 166 mm
Net dimensions inches		20 x 12.6 x 6.5 inches
Net weight		14.5 kg (32 lbs)
<b>Features</b>		Dehumidifier
	Dimming	Electronic
	Emulation mode / effect	Color Filter Emulation
	Filters	Magnetic easy-fit spread angle filters and color frame
	LED panel	6 individually controllable segments
	Physical Head Straight Up Height	301 mm
	Strobe	Ultra-high-speed strobe effects
	Tilt	220°

	Tilt Locking System	Locking system with angle indicator
<b>Electrical</b>	AC power, max.	100 - 305V 50/60Hz
	AC Power, nominal	115 - 277V 50/60Hz
	Electrical Protection	Overload protection with automatic recover
	Max Inrush Current	70 A
	Max power consumption	630 W
	Max power thru @ 100 V	13 A
	Max power thru @ 230 V	13 A
	Power factor	0.96 PF (230 V)
	Power Supply Unit	Inbuilt IP 67 Auto-ranging electronic switch-mode
	Standby power consumption	10 W
	Typical power consumption	450 W
<b>Programming and Control</b>	16-bit control	Dimmer, Red, Green, Blue
	Cabled DMX	5 pin XLR input/output
	DMX channels	4, 6, 8, 9, 10, 18, 21, 24, 26, 27, 40
	DMX modes	13
	Protocol	CRMX, W-DMX™ G2, W-DMX™ G3, W-DMX™ G4, W-DMX™ G4S, USITT DMX512A, RDM ANSI E1.20
	Setting and addressing	OLED graphical display / 4 buttons RDM ANSI E1.20
	Standalone mode	Quick Color 3 programs with up to 24 scenes
	Wireless DMX	Lumen Radio with RDM
<b>Connections</b>	DMX data in/out	IP67 XLR 5-pin connector, Female IP67 XLR 5-pin connector, Male
	Power	Power input connector & link-thru
<b>Installation</b>	Mounting point	2 x 2 quarter-turn locking points for one or two Omega brackets
	Orientation	Any
	Rigging possibilities	Hanging (Omega Bracket included) or ceiling/wall mount (optional)
	Safety features	Bottom mount for safety wire Minimum distance to combustible materials: 0.3 meter (11 in).
<b>Thermal</b>	Cooling	Active, Forced Air, Temperature-regulated

	Humidity (max.)	98 %
	Temperature range, Operating	-40°C to 50°C
	Temperature range, Start-up	-20°C to 50°C
	Temperature range, Storage	-40°C to 80°C
	Thermal Protection	Automatic overtemperature protection
<b>Included items</b>	Included items	2 Omega bracket with quarter-turn fasteners 2 m power cable Safety instructions and installation quick guide
<b>Conforms To</b>	CE - 2014/30/EU: EMC Directive	EN 55103-2 EN 55015 EN 61547 EN 61000-3-2 EN 61000-3-3 EN 55032
	CE - 2014/35/EU: Low Voltage Directive	EN 60598-1 EN 60598-2-17 EN 62471 EN 60529
	RoHS2 Directive	2011/65/EU
	UL	UL Std. 1573
<b>Certified To</b>	CSA	CSA Std. C22.2 No. 166

**NOTES:**

Due to continuous improvements and innovations, specifications may change without notice.

LEDs' expected lifetime provided by manufacturer and obtained under manufacturer's test conditions.

Zoom range defined as a minimum beam angle to a maximum field angle.

Photometric measurements obtained with Goniometer Scan / SGM Illumination Lab 1.6.0.0.

Lumen output in pixel products is calculated.

## Ordering information

Product name	Item number
P-6, Std, BL	80031650
P-6, Std, WH	80031651
P-6, Std, CU	80031652
Accessories	Item number
Omega Bracket with 1/4-turn fasteners	83060602
IP Power Cable	07860040
SGM USB uploader cable	83062011
Vacuum Test Kit	83061136
A-4	80070217
4-way Barndoors for P-6	83061173
Filter frame for P-6 - medium angle	83061170
Filter frame for P-6 - wide angle	83061171
Filter frame for P-6 - elliptical horizontal wide angle	83061168
Filter frame for P-6 - elliptical vertical wide angle	83061169
Filter frame for P-6 - optional filters	83061172
8-way Barndoors for P-6	83061186
RDM Addressing Tool	



**SGM Light A/S**

Sommervej 23, 8210 Aarhus V

Denmark

Telephone [+45 70 20 74 00](tel:+4570207400)

Mail [info@sgmlight.com](mailto:info@sgmlight.com)