

LED Exhibition Light

MOLUX XPO575 LED



CONTENTS

INSTALLATION INSTRUCTIONS	3
INSTRUCTION	3
DESCRIPTION OF THE DEVICE	3
Profile	3
Overview	4
Spare parts	4
Specification	4
Safety warning	5
INSTALLATION	6
1. Installation	6
2. Dmx512 connection	7
3. Connection with mains	7
OPERATION	8
1. Description of the keys	8
2. Menu	8
3. Basic setting	9
4. Dmx protocol	9

INSTALLATION INSTRUCTIONS

- Unqualified person involved with installation, operation and maintenance of this device is prohibited.
- If any above mentioned problem happened, or unknown problem happened, please contact the manufactory or distributor for assistance.

PROBLEM	REASON	RESOLUTION
Device not work	No power	AC100V-240V, 50HZ/60HZ Check the power connection, and make sure device connect the mains in well condition. Check if switch is on Check if the fuse is good
Led bub if off	Led bulb damaged Led drive board damaged Temperature switch damaged	Replacing led bulb Replacing led driver board Replacing temperature switch
Fans not work	Fans damaged	Replacing fans

INSTRUCTION

Thank you for having chosen this spot. You will see you have a powerful and versatile device.

Unpack your spot.

Delivery includes: DMX CABLE: 1PC USER MANUAL: 1PC LENS BOARD: 2PC ATOMIZING LENS: 1PC

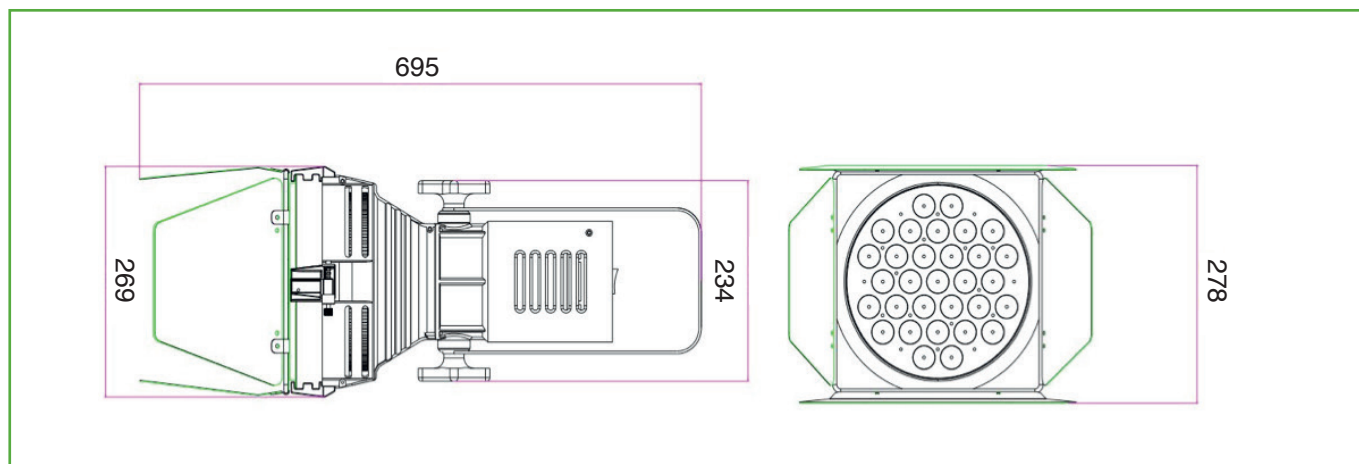
DESCRIPTION OF THE DEVICE

Profile

With the idea of energy saving and environment protection, the device use low power loss and extremely high efficiency led. The device housing cover is made of used the new high strength heat resistance engineering plastics, with beautiful shape and smooth lines. The designing and manufacturing is in compliance with the IEC standard. The device is suitable in the large-scale theatrical performance, the theater, the performance hall, the bar, nightclub and so on.

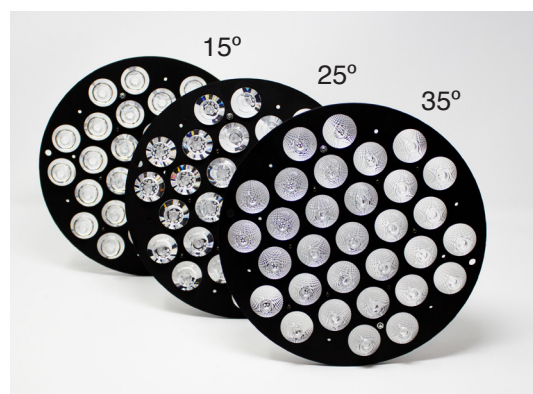
The product conforms to the international standard DMX512 agreement completely; the device can be controlled in signal, and also be controlled in many units.

Overview

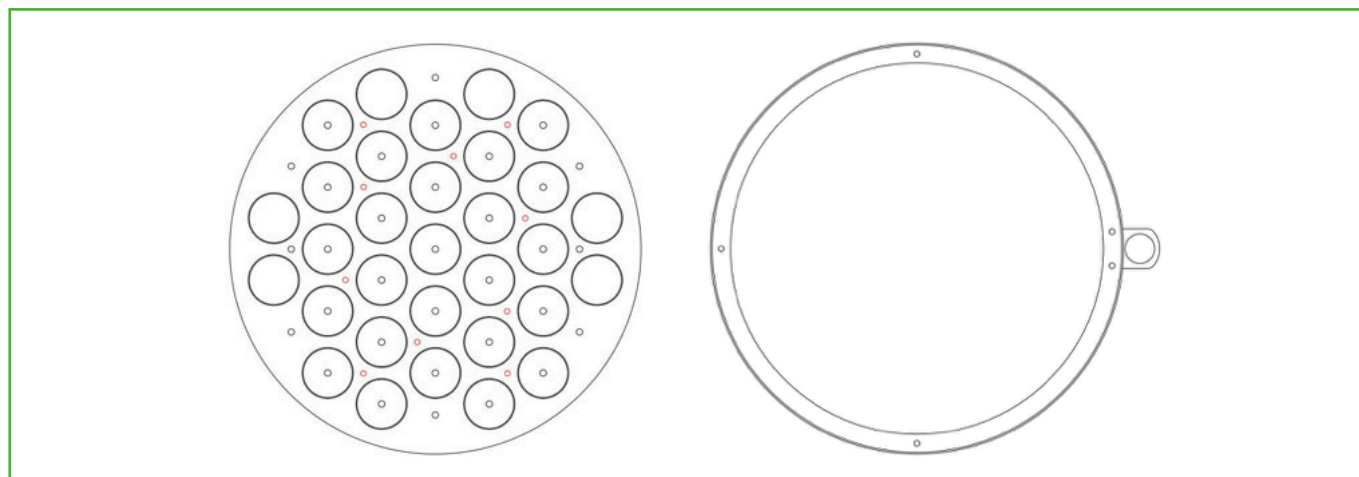


Specification

- Lamp: 31pcs 10W white led
- Color temperature: 3000K ~ 6500K optional
- Power Supply: AC100V-240V, 50HZ/60HZ
- Power consumption: 400w
- 2 DMX channels
- Small volume, lightweight
- High quality optical system
- Different lens available: 15/25/35°



Spare parts



Safety warning

① Warning:

- Every person involved with the installation, operation and maintenance of this device has to be qualified.
- User must follow the instructions of this manual.
- Unqualified person can not open the housing cover and operate the device, or the dealer will not accept liability for any resulting defects or problems.
- The device against rain and moisture.

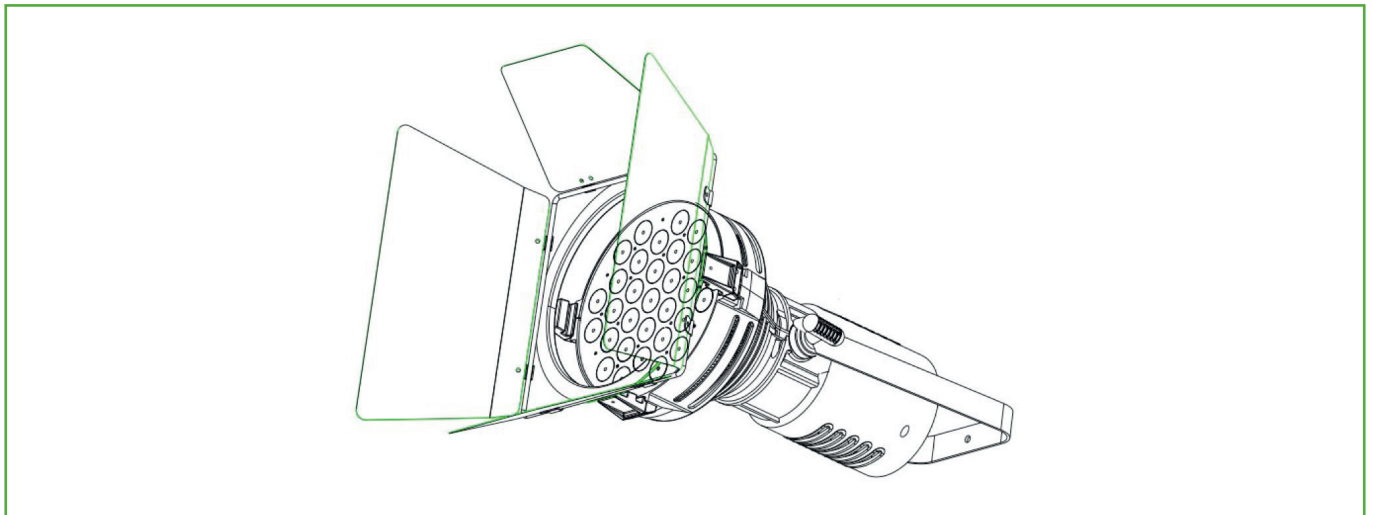
② Warning notes:

- Power Supply: AC100V-250V, 50HZ/60HZ.
- Make sure the power switch is off, the power plug, outlet and the earth connection is in well condition before connecting the device with the mains.
- Please use qualified power plug and outlet. Never connect the power cord of this device with other electrical equipment.
- During move and installation, make sure the device not crashed with metal parts and other tough materials.
- Always disconnect from the mains, when the device is on installation and dismantled.
- The minimum distance between light-output the illuminated surface must be more than 50cm.
- The device must only be installed on a non-flammable surface. In order to safeguard sufficient ventilation; leave 50cm of free space around the device. Please note that heat-sensitive objects may be deformed and damaged by the emitted heat.
- During the operation the housing becomes hot! Don't operate the device for 15 minutes after switching off.
- The maximum ambient temperature $T_a=45^{\circ}\text{C}$ must never be exceeded. The maximum housing temperature $T_b=80^{\circ}\text{C}$ must never be exceeded.
- For indoors use.
- Replace any visible cracked protective shield, filters and lens.
- The protective shield, filters and lens will require weekly cleaning as smoke "fluid tends to building up esidues, reducing the light" output very quickly.

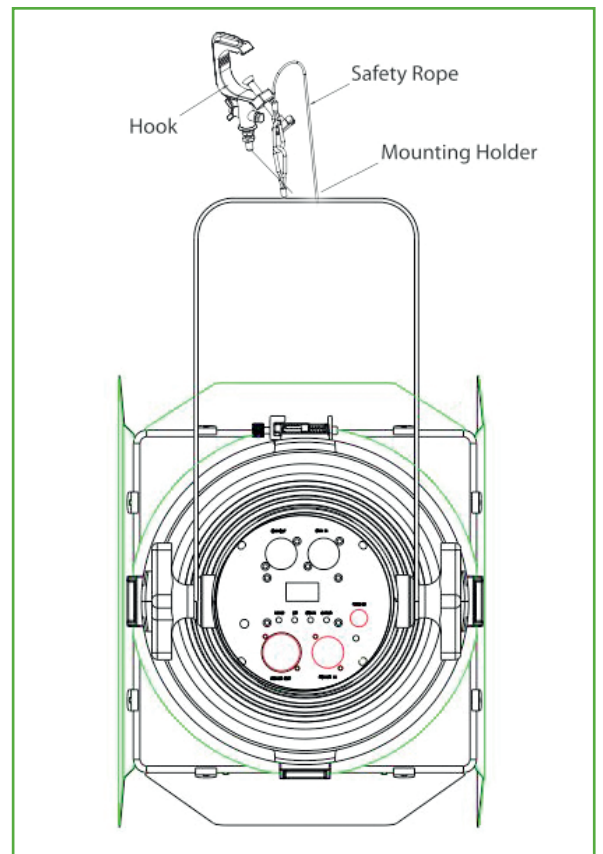
INSTALLATION

1. Installation

- When installation, keep the device far away the heat sensitive objects and explosives sensitive objects, leave at least 50CM of free space around the device.
- When the device put on horizontal place, the device must be placed directly on the place, and device must be secured with a mounting holder.

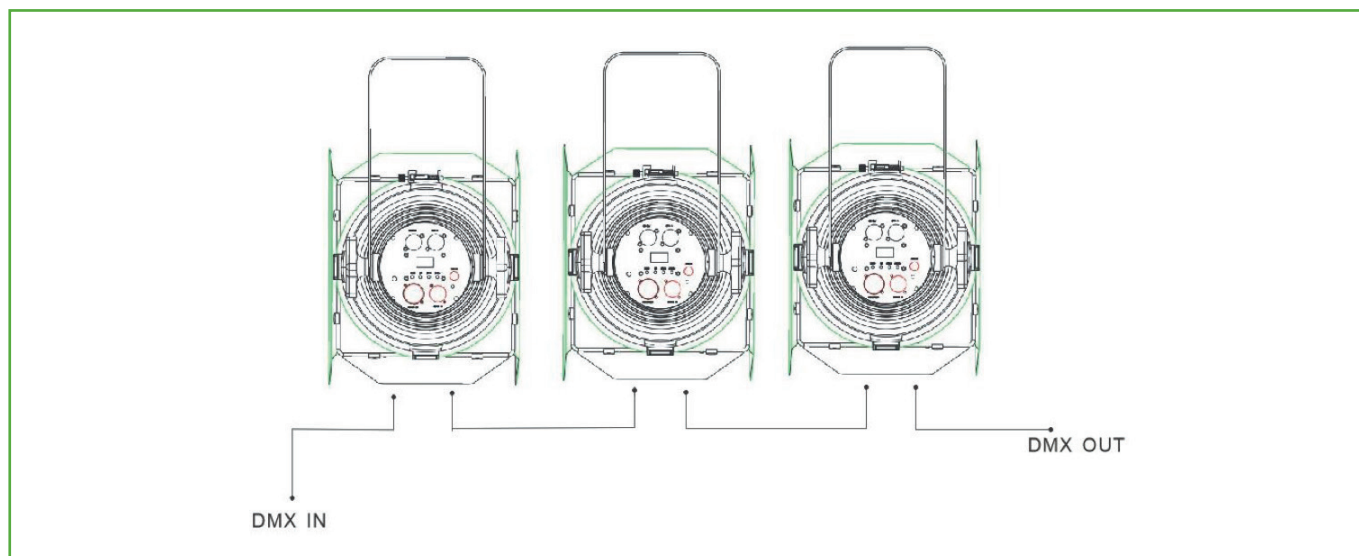


- When rigging the devices on the truss and the head face to the floor. Screw one clamp each via a M12 screw and nut onto the mounting holder. Insert the quick-lock fasteners of the first mounting holder into the respective holes on the bottom of the device. Tighten the quick-lock fasteners fully clockwise. Install the second mounting holder. And the safety rope must be used at same time.
- Please use qualified safety-rope, which can hold at lease 10 times the weight of the fixture. You must only use safety-ropes with quick links with screw cap. Pull the safety-rope through the hole on the bottom of the base and over the trussing system etc. Insert the end in the quick link and tighten the fixation screw. A safety rope which already hold the strain of a crash or which is defective must not be used again.



2. Dmx512 connection

- Please use xlr-xlr wires connect the dmx output the controller with the dmx input of the first device, and connect the dmx output of the first device with the dmx input of the second device, always connect one output with the input of the next device until all devices are connected.
- Please use qualified xlr-xlr dmx cables.



3. Connection with mains

- The person involved with the power connection must be qualified, and has the electrical engineering certificate.
- Connect the device to the mains with the power plug.
- The earth has to be connected.
- Power consumption 400w, input power supply AC100V-250V, 50HZ/60HZ.

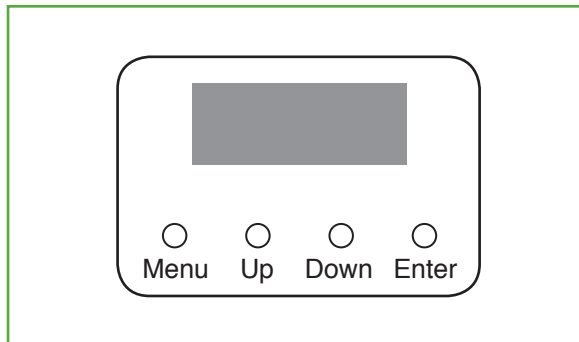
Replace fuse

- Before replacing the fuse, unplug mains lead.
- Procedure:
 - Step 1: Unscrew the fuse holder on the rear panel with a fitting screwdriver from the housing (anti-clockwise).
 - Step 2: Remove the old fuse from the fuse holder.
 - Step 3: Install the new fuse in the fuse holder.
 - Step 4: Replacing the fuse holder in the housing and fix it.

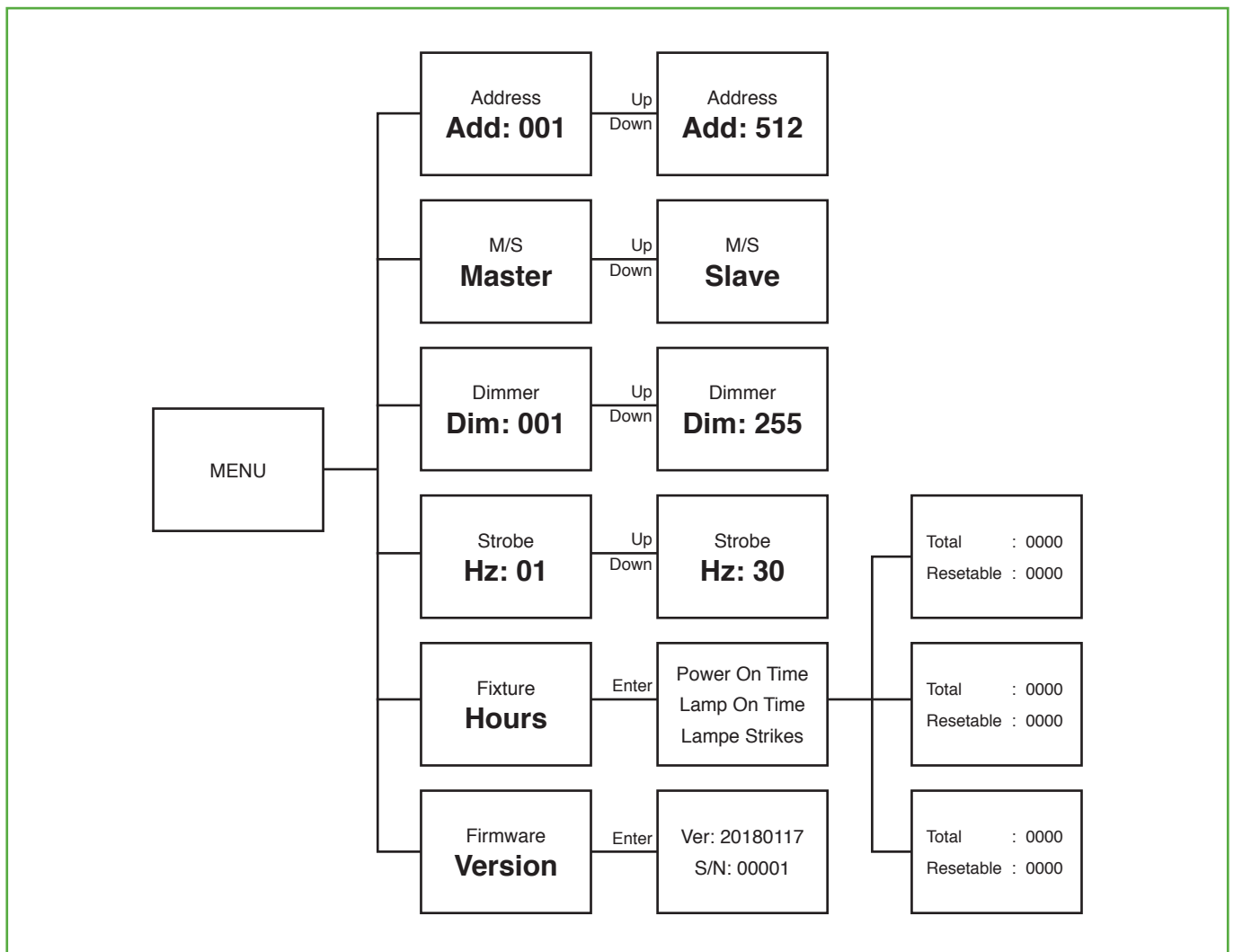
OPERATION

1. Description of the keys

- MENU
- UP
- DOWN
- ENTER



2. Menu



3. Basic setting

- [Address] is the default setting, then switch on the device, the device display will show the message [Add 001].
- Press [ENTER] key into and select [Add 001]. Use the [UP] and [DOWN] keys to select required address [Add 001-512] and press to confirm or to cancel and return to the main menu, press [ENTER] key to return and confirm;
- Press [DOWN] key to select [Master M/S], press [ENTER] key into and Use the [UP] and [DOWN] keys to select [M/S mater or M/S slave], press [ENTER] to return and confirm;
- Press [DOWN] key to select [Dimmer], press [ENTER] key into and use the [UP] and [DOWN] keys to select [Dim 001-255], press [ENTER] to return and confirm;
- Press [DOWN] key to select [Strobe], press [ENTER] key into and use the [UP] key to select [Hz 01-30], press [ENTER] to return and confirm;
- Press [DOWN] key to select [Fixture Hours], press [ENTER] key into to select [Total, Led on,Power times, Power on], press [ENTER] to return and confirm;
- Press [DOWN] key to select [Firmware Version], press [ENTER] key into to select [Ver.,Sererial number], press [ENTER] to return and confirm;

Fixture Hours

In this menu it will show the total power on time, led power on time, and times for power on & off for the fixture. Each time has a total time and resettable time, the resettable time can be cleared by pressing the MENU & ENTER button for 5s.

4. Dmx protocol

CHANNEL	VALUE	FUNCTION
1	0~255	Dimmer
2	0~255	Strobe