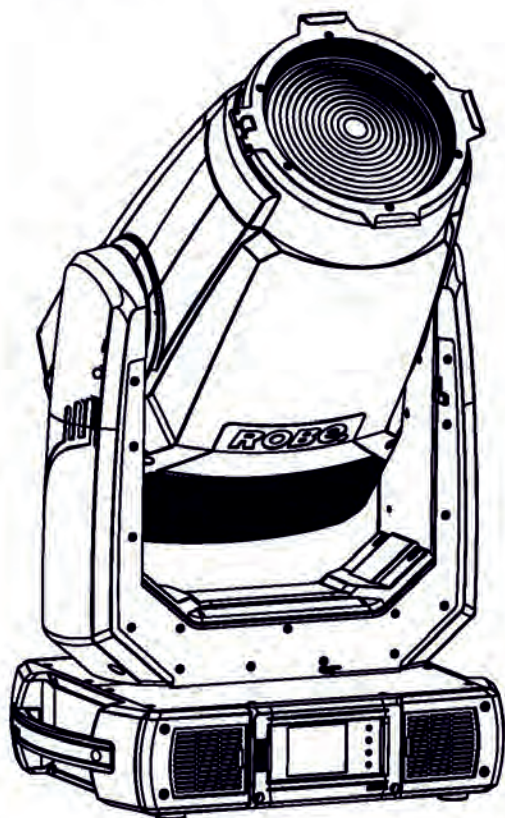


# ROBE

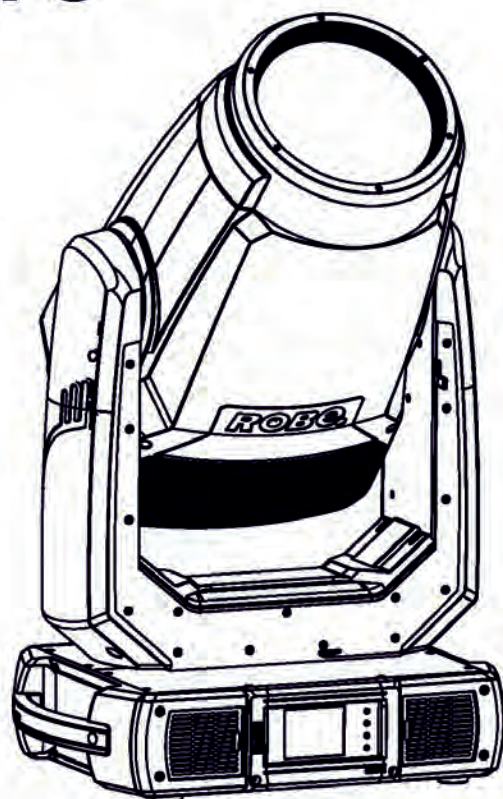
## ROBIN<sup>®</sup> T2

### Fresnel



## ROBIN<sup>®</sup> T2

### PC



 **ROBIN<sup>®</sup>**  
Innovative Technology

## USER MANUAL

Version 1.2

ROBE<sup>®</sup> lighting s.r.o. • Czech Republic • [www.robe.cz](http://www.robe.cz)

# Robin T2 Fresnel

# Robin T2 PC

## Table of contents

<b>1. Safety instructions</b> .....	<b>3</b>
<b>2. Operating determination</b> .....	<b>4</b>
<b>3. Fixture exterior view</b> .....	<b>5</b>
<b>4. Installation</b> .....	<b>6</b>
4.1 Connection to the mains .....	6
4.2 Replacing frost .....	6
4.3 Installing the top hat .....	7
4.4 Installing the module of Fresnel lens (module of PC lens).....	7
4.5 Rigging the fixture .....	8
4.6 DMX-512 connection.....	10
4.7 Ethernet connection .....	11
4.8 Wireless DMX operation .....	13
<b>5. Remotely controllable functions</b> .....	<b>14</b>
5.1 Colour influencing functions .....	14
5.2 Effect functions.....	17
<b>6. Control menu map</b> .....	<b>19</b>
<b>7. Control menu</b> .....	<b>23</b>
7.1 Tab "Address" .....	24
7.2 Tab "Information" .....	25
7.3 Tab "Personality" .....	27
7.4 Tab "Manual Control".....	29
7.5 Tab "Stand-alone" .....	29
7.6 Tab "Service" .....	30
<b>8. RDM</b> .....	<b>33</b>
<b>9. Error and information messages</b> .....	<b>34</b>
<b>10. NFC</b> .....	<b>38</b>
<b>11. Technical Specifications</b> .....	<b>39</b>
<b>12. Maintenance and cleaning</b> .....	<b>46</b>
12.1 Disposing of the product .....	47
<b>13. ChangeLog</b> .....	<b>47</b>

**CAUTION!**

***Keep this device away from rain and moisture!  
Unplug mains lead before opening the housing!***

**FOR YOUR OWN SAFETY, PLEASE READ THIS USER MANUAL CAREFULLY  
BEFORE YOU INITIAL START - UP!**

## **1. Safety instructions**

***Please use only an original ROBE packaging (paper box, loader case or foam shell) for transporting the device, otherwise potential damage of the device during its transport will not subject to warranty.***

**CAUTION!**

***Be careful with your operations.  
With a high voltage you can suffer  
a dangerous electric shock when touching the wires!***

This device has left our premises in absolutely perfect condition. In order to maintain this condition and to ensure a safe operation, it is absolutely necessary for the user to follow the safety instructions and warning notes written in this manual.

The manufacturer will not accept liability for any resulting damages caused by the non-observance of this manual or any unauthorized modification to the device.

Please consider that damages caused by manual modifications to the device are not subject to warranty.

Never let the power-cord come into contact with other cables! Handle the power cord and all connections with the mains with particular caution!

Make sure that the available voltage is not higher than stated on the rear panel.

WARNING! This unit does not contain an ON/OFF switch. Always disconnect power input cable to completely remove power from unit when not in use or before cleaning or servicing the unit.

Make sure that the power cord is never crimped or damaged by sharp edges. Check the device and the power-cord from time to time.

Always disconnect from the mains, when the device is not in use or before cleaning it. Only handle the power-cord by the plug. Never pull out the plug by tugging the power cord.

This device falls under protection class I. Therefore it is essential to connect the yellow/green conductor to earth. The electric connection, repairs and servicing must be carried out by a qualified employee.

Do not connect this device to a dimmer pack.

During the initial start-up some smoke or smell may arise. This is a normal process and does not necessarily mean that the device is defective.

Do not touch the device's housing bare hands during its operation (housing becomes hot)!  
For replacement use fuses of same type and rating only.

***LED light emission. Risk of eye injury.  
Do not look straight at the fixture's LED source during operation. The intense light  
beam may damage your eyes.***

***Do not view the light output with optical instruments or any device that may concentrate the beam.  
The light source contains blue LEDs.***

**Robin T2 PC: CAUTION! Risk group 2, RG-2  
Robin T2 Fresnel: CAUTION! Risk group 1, RG-1**



## **2. Operating determination**

This device is a moving head for creating decorative effects and was designed for indoor use only. This device is for professional use only. It is not for household use.

If the device has been exposed to drastic temperature fluctuation (e.g. after transportation), do not switch it on immediately. The arising condensation water might damage your device. Leave the device switched off until it has reached room temperature.

Never lift the fixture by holding it at the projector-head, as the mechanics may be damaged. Always hold the fixture at the transport handles.

When choosing the installation-spot, please make sure that the device is not exposed to extreme heat, moisture or dust. There should not be any cables lying around. You endanger your own and the safety of others!

Make sure that the area below the installation place is blocked when rigging, derigging or servicing the fixture.

Always fix the fixture with an appropriate safety rope. Fix the safety rope at the correct holes only.

Only operate the fixture after having checked that the housing is firmly closed and all screws are tightly fastened.

The maximum ambient temperature 45°C must never be exceeded.

***CAUTION!  
The front lens has to be replaced when it is obviously damaged,  
so that its function is impaired, e. g. due to cracks or deep scratches!***

Operate the device only after having familiarized with its functions. Do not permit operation by persons not qualified for operating the device. Most damages are the result of unprofessional operation!

Do not block the front objective lens with any object when the fixture is under operation.

The fixture housing never must be covered with cloth or other materials.

Please use the original packaging if the device is to be transported.

Please consider that unauthorized modifications on the device are forbidden due to safety reasons! If this device will be operated in any way different to the one described in this manual, the product may suffer damages and the guarantee becomes void. Furthermore, any other operation may lead to dangers like short-circuit, burns, electric shock, burns etc.

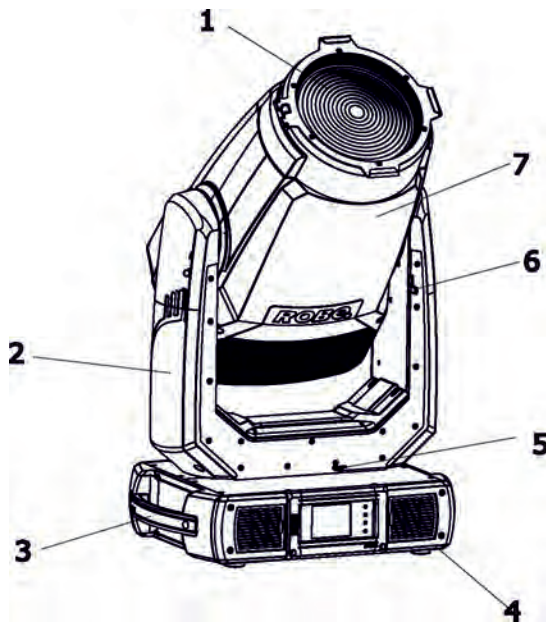
***CAUTION!  
To avoid damage of the internal parts of the fixture head, never let the sunlight lights  
directly to the front lens , even when the fixture is not working !***

Immunity of the equipment is designed for electromagnetic environments E1, E2, E3 according to the standard EN55103-2 ed.2 Electromagnetic compatibility. Product family standard for audio, video, audiovisual and entertainment lighting control apparatus for professional use. Part 2: Immunity.

The product (covers and cables) must not be exposed to a high frequency electromagnetic field higher than 3V/m. The installation company should check levels of possible interferences above the tested levels E1, E2, E3 given by this standard (e.g. transmitters in surrounding area) before installing the equipment.

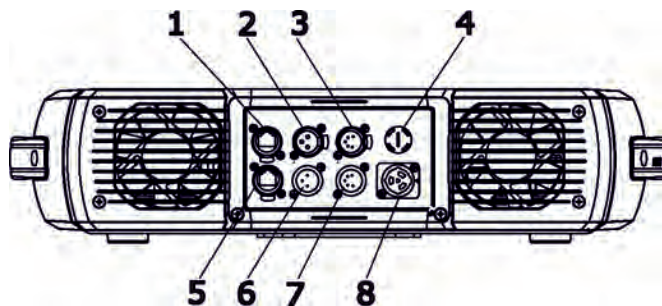
Emission of the equipment complies with the standard EN55032 Electromagnetic compatibility of multimedia equipment – Emission Requirements according to class B.

### 3. Fixture exterior view



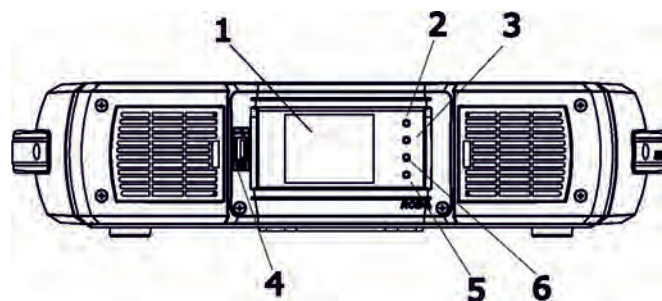
- 1 - Front lens (fresnel lens or PC lens)
- 2 - Arm
- 3 - Handle
- 4 - Base
- 5 - Pan lock
- 6 - Tilt lock
- 7 - Head

The head has to be locked for transportation - the tilt lock latch (6) and the pan lock latch (5) have to be in the locked positions. To unlock the head, move these latches to unlock positions before operating the fixture.



#### Rear panel of the base (T2 Profile)

- 1 - Ethernet In (RJ45)
- 2 - 3-pin DMX Out
- 3 - 5-pin DMX Out
- 4 - Fuse holder
- 5 - Ethernet Out (RJ45)
- 6 - 3-pin DMX In
- 7 - 5-pin DMX In
- 8 - Power (PowerCon True 1)



#### Front panel of the base

- 1 - QVGA touch screen
- 2 - ESCAPE button
- 3 - NEXT button
- 4 - USB port
- 5 - ENTER/DISPLAY ON button
- 6 - PREV button

The ENTER/DISPLAY ON button also serves for switching the display on (for a while) when the fixture is disconnected from the mains.

## 4. Installation



**Fixtures must be installed by a qualified electrician in accordance with all national and local electrical and construction codes and regulations.**

### 4.1 Connection to the mains

**For protection from electric shock, the fixture must be earthed!**

The fixture is equipped with auto-switching power supply that automatically adjusts to any 50-60Hz AC power source from 100-240 Volts.

Power cable is enclosed to the fixture. If you need to install a power plug on the power cable to allow connection to power outlets, install a grounding-type (earthed) plug, following the plug manufacturer's instructions. If you have any doubts about proper installation, consult a qualified electrician.

Core (EU)	Core (US)	Connection	Plug Terminal Marking
Brown	Black	Live	L
Light blue	White	Neutral	N
Yellow/Green	Green	Earth	

This device falls under class one and must be earthed (grounded).

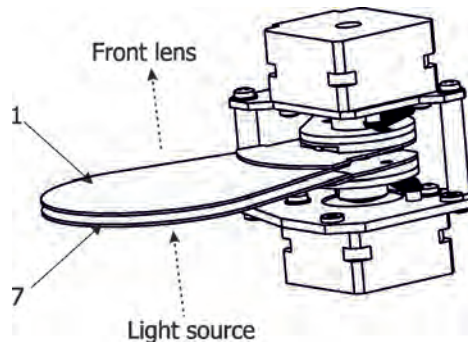
To apply power, first check that the head pan and tilt locks are released.

### 4.2 Replacing frost

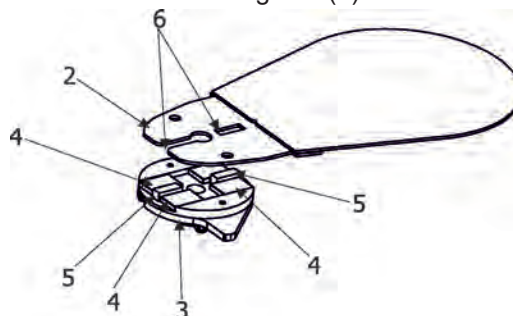
**Unplug the fixture from mains before installing the frost module!**

To replace the frost.

1. Disconnect the fixture from mains and allow it to cool for 10 minutes.
2. Remove plastic cover of the head by loosening the 2 quarter-turn fasteners on the cover to get access to the frosts (1) (7).



3. The holder (2) of the frost foil is fastened to the frost holder (3) by means of the four magnets (4). Grip the holder (2) and carefully tilt it out to break a force of magnets (4) on the frost holder (3).

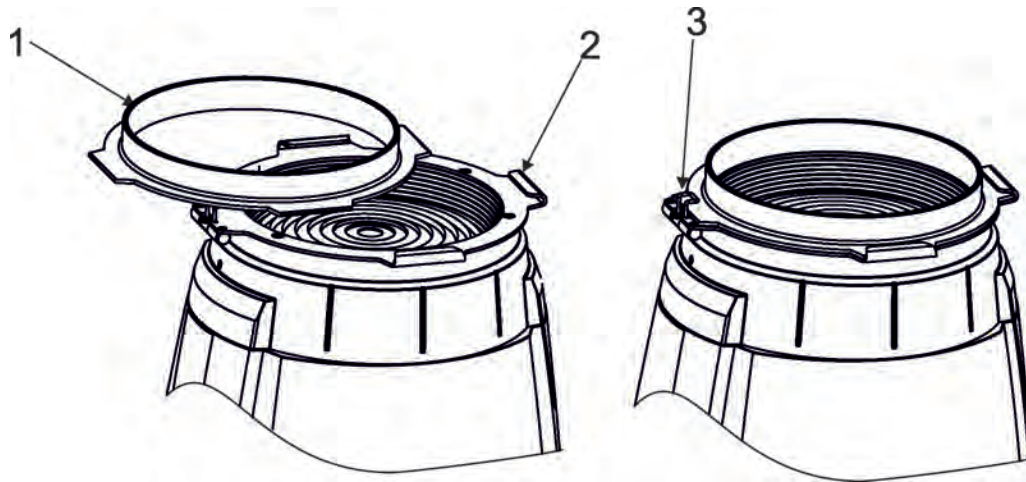


4. Place a new frost module into the frost holder (3). Check, that both slots (6) snapped correctly into two protrusions (5) in the holder (3).
5. Place the plastic cover back on the fixture before applying power.

### 4.3 Installing the top hat

***Disconnect the fixture from mains before installing the top hat.***

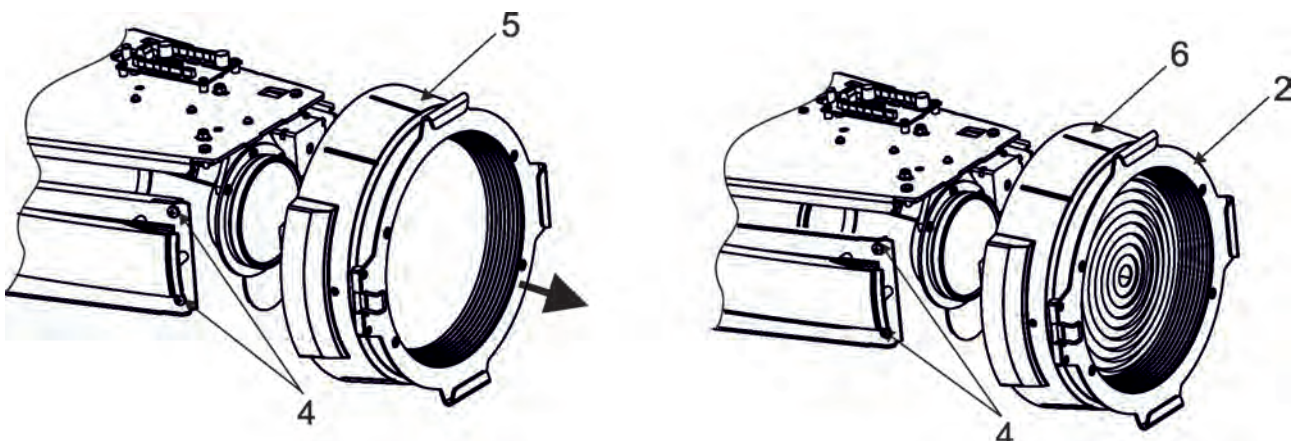
1. Disconnect the fixture from mains.
2. Insert the top hat (1) to the gel frame adaptor (2) and secure it by means of the spring lock (3).



### 4.4 Installing the module of Fresnel lens (module of PC lens)

***Install the front lens with the device unplug from mains.  
The front lens is heavy!  
Secure the head in a horizontal position by means of the pan/tilt locks before lens replacing.  
CAUTION! Risk group 2, RG-2 (for PC lens only)***

1. Disconnect the fixture from mains and allow it to cool.
2. Remove both head covers.
3. Secure the fixture head in a horizontal position by means of the pan/tilt locks.
4. Unscrew two screws (4) on each side of the fixture head and remove the lens module (5), e.g. PC lens module. Be careful, the lens module is heavy!
5. Place the new lens module (6), e.g. Fresnel lens module, on the head and fasten it by means of the four screws (4). Check that all screws are fully tightened before placing the head covers back on the head.
6. Insert the top hat to the gel frame adaptor (2) if needed.
7. Set the correct type of the front lens in the menu "Special Functions"--> "Front Lens".



## 4.5 Rigging the fixture

A structure intended for installation of the fixture(s) must safely hold weight of the fixture(s) placed on it. The structure has to be certificated to the purpose.

The fixture (fixtures) must be installed in accordance with national and local electrical and construction codes and regulations.

***For overhead installation, the fixture must be always secured with a safety wire that can bear at least 10 times the weight of the fixture***

When rigging, derigging or servicing the fixture staying in the area below the installation place, on bridges, under high working places and other endangered areas is forbidden.

The operator has to make sure that safety relating and machine technical installations are approved by an expert before taking into operation for the first time and after changes before taking into operation another time.

The operator has to make sure that safety relating and machine technical installations are approved by a skilled person once a year.

Allow the fixture to cool for ten minutes before handling.

The projector should be installed outside areas where persons may walk by or be seated.

IMPORTANT! OVERHEAD RIGGING REQUIRES EXTENSIVE EXPERIENCE, including calculating working load limits, installation material being used, and periodic safety inspection of all installation material and the projector. If you lack these qualifications, do not attempt the installation yourself, but use a help of professional companies.

CAUTION: Fixtures may cause severe injuries when crashing down! If you have doubts concerning the safety of a possible installation, do not install the fixture!

The fixture has to be installed out of the reach of public.

The fixture must never be fixed swinging freely in the room.

***Danger of fire !  
When installing the device, make sure there is no highly inflammable material (decoration articles, etc.) in a distance of min. 0.5 m.***

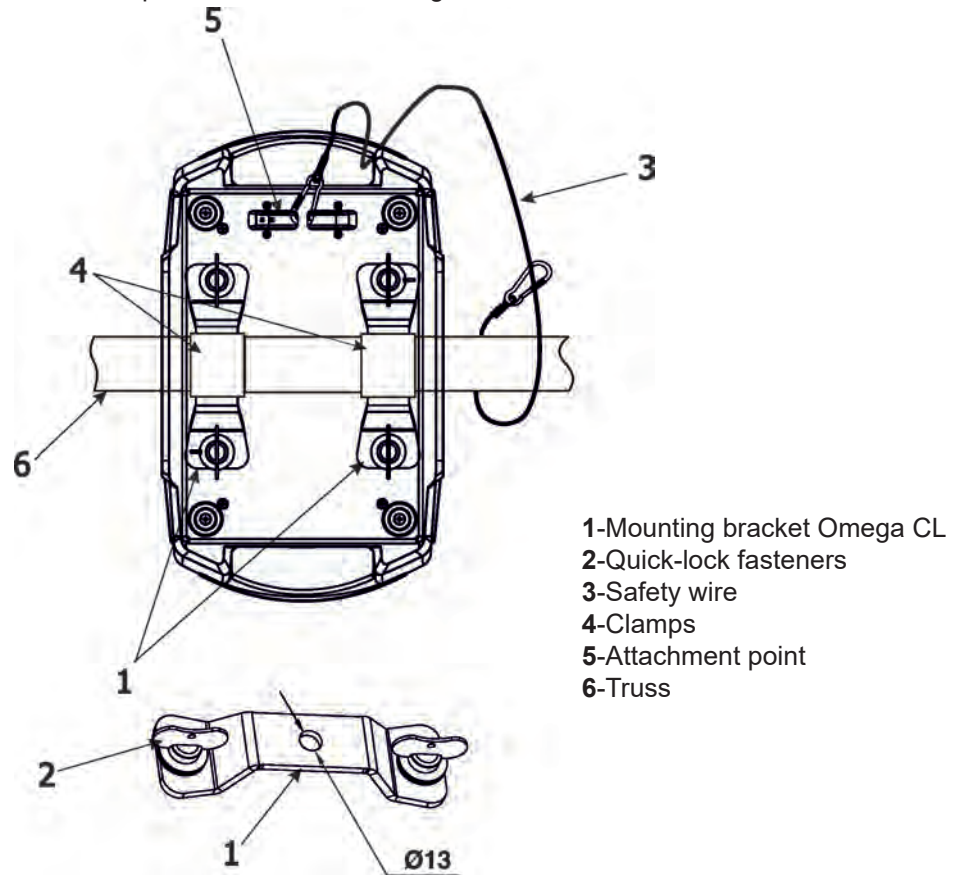
***CAUTION!  
Use 2 appropriate clamps to rig the fixture on the truss.  
Follow the instructions mentioned at the bottom of the base.  
Make sure that the device is fixed properly! Ensure that the structure (truss) to which you are attaching the fixtures is secure.***

The fixture can be placed directly on the stage floor or rigged in any orientation on a truss without altering its operation characteristics .

For securing the fixture to the truss, install a safety wire which can hold at least 10 times the weight of the fixture. Use only the safety wire with a snap hook with screw lock gate.

### Truss installation

1. Bolt clamps (4) to the brackets Omega CL (1) with M12 bolts and lock nuts through the hole in the bracket Omega CL.
2. Fasten the brackets Omega CL on the bottom of the base by means of the quick-lock fasteners (2) and tighten them fully clockwise.
3. Pull a safety wire (3) through the carrying handle and the truss (6) as shown on the picture below in a suitable position so that the maximum fall of the fixture will be 20 cm. Fasten a snap hook in the attachment point (5). Use only the safety wire with a snap hooks with screw lock gates.



***When installing fixtures side-by-side,  
avoid illuminating one fixture with another!***

***DANGER TO LIFE!***  
***Before taking into operation for the first time, the installation has to be approved by  
an expert!***

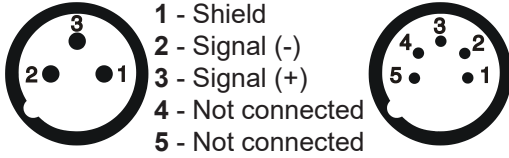
## 4.6 DMX-512 connection

The fixture is equipped with both 3-pin and 5-pin XLR sockets for DMX input and output. The sockets are wired in parallel.

Only use a shielded twisted-pair cable designed for RS-485 and 3-pin or 5-pin XLR-plugs and connectors in order to connect the controller with the fixture or one fixture with another.

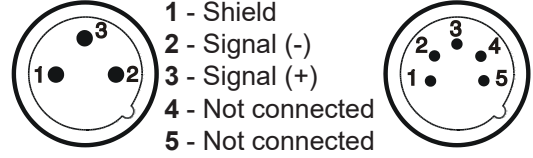
### DMX output

#### XLR mounting sockets (rear view):



### DMX input

#### XLR mounting plugs (rear view):

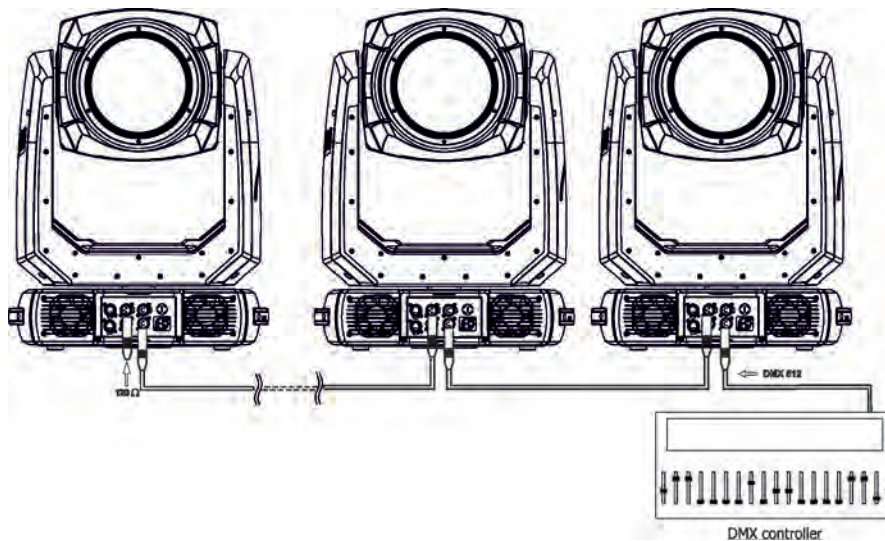


If you are using the standard DMX controllers, you can connect the DMX output of the controller directly with the DMX input of the first fixture in the DMX chain. If you wish to connect DMX controllers with other XLR outputs, you need to use adapter cables.

### Building a serial DMX-chain:

Connect the DMX-output of the first fixture in the DMX chain with the DMX-input of the next fixture. Always connect one output with the input of the next fixture until all fixtures are connected. Up to 32 fixtures can be connected.

**Caution:** At the last fixture, the DMX-cable has to be terminated with a terminator. Solder a 120 Ω resistor between Signal (-) and Signal (+) into a 3-pin XLR-plug and plug it in the DMX output of the last fixture.



## 4.7 Ethernet connection

The fixtures on a data link are connected to the Ethernet with ArtNet communication protocol. The control software running on your PC (or light console) has to support Art-Net protocol.

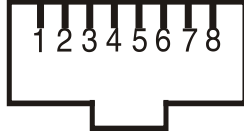
Art-Net communication protocol is a 10 Base T Ethernet protocol based on the TCP/IP. Its purpose is to allow transfer of large amounts of DMX 512 data over a wide area using standard network technology.

**IP address** is the Internet protocol address. The IP uniquely identifies any node (fixture) on a network.

**The Universe** is a single DMX 512 frame of 512 channels.

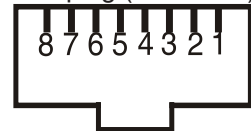
The fixture is equipped with 8-pin RJ-45 socket for Ethernet input. Use a network cable category 5 (with four "twisted" wire pairs) and standard RJ-45 plugs in order to connect the fixture to the network.

RJ-45 socket (front view):



- |                  |                  |
|------------------|------------------|
| 1- TD+           | 5- Not connected |
| 2- TD-           | 6- RX-           |
| 3- RX+           | 7- Not connected |
| 4- Not connected | 8- Not connected |

RJ-45 plug (front view):




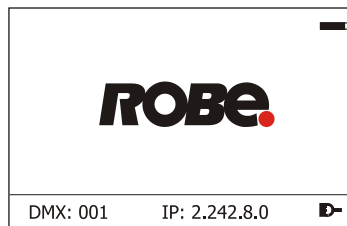
Patch cables that connect fixtures to the hubs or LAN sockets are wired 1:1, that is, pins with the same numbers are connected together:



If only the fixture and the computer are to be interconnected, no hubs or other active components are needed. A cross-cable has to be used:



If the fixture is connected with active Ethernet socket (e.g. switch) the network icon  will appear at the bottom right corner of the screen:



### Direct Ethernet operation

Connect the Ethernet inputs of all fixtures with the Ethernet network.

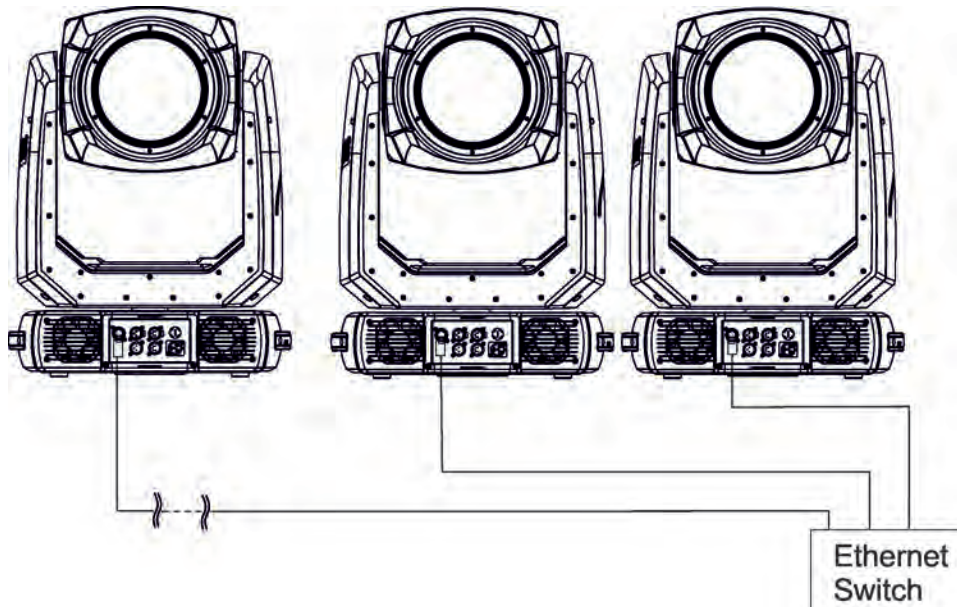
Option "Artnet" (gMal or gMA2 or sACN) has to be selected from "Ethernet Mode" menu at each fixture.

Set IP address (002.xxx.xxx.xxx / 010.xxx.xxx.xxx) and the Universe at each fixture.

(DMX address=144)  
IP address=002.168.002.004  
Universe=1

(DMX address=48)  
IP address=002.168.002.003  
Universe=1

(DMX address=1)  
IP address=002.168.002.002  
Universe=1



An advised PC setting: IP address: 002.xxx.xxx.xxx / 010.xxx.xxx.xxx (Different from fixture IP addresses)  
NET mask: 255.0.0.0

## Ethernet / DMX operation

Option "Artnet" (gMal or gMA2 or sACN) has to be selected from "Ethernet Mode" menu at first fixture.  
 Option "Ethernet To DMX" has to be selected from the "Ethernet Mode" menu at the first fixture (connected to the Ethernet) in the fixture chain, next fixtures have standard DMX setting.  
 Connect the Ethernet input of the first fixture in the data chain with the network. Connect the DMX output of this fixture with the input of the next fixture until all fixtures are connected to the DMX chain.

**Caution:** At the last fixture, the DMX chain has to be terminated with a terminator. Solder a 120 Ω resistor between Signal (-) and Signal (+) into a XLR-plug and connect it in the DMX-output of the last fixture.

Example:

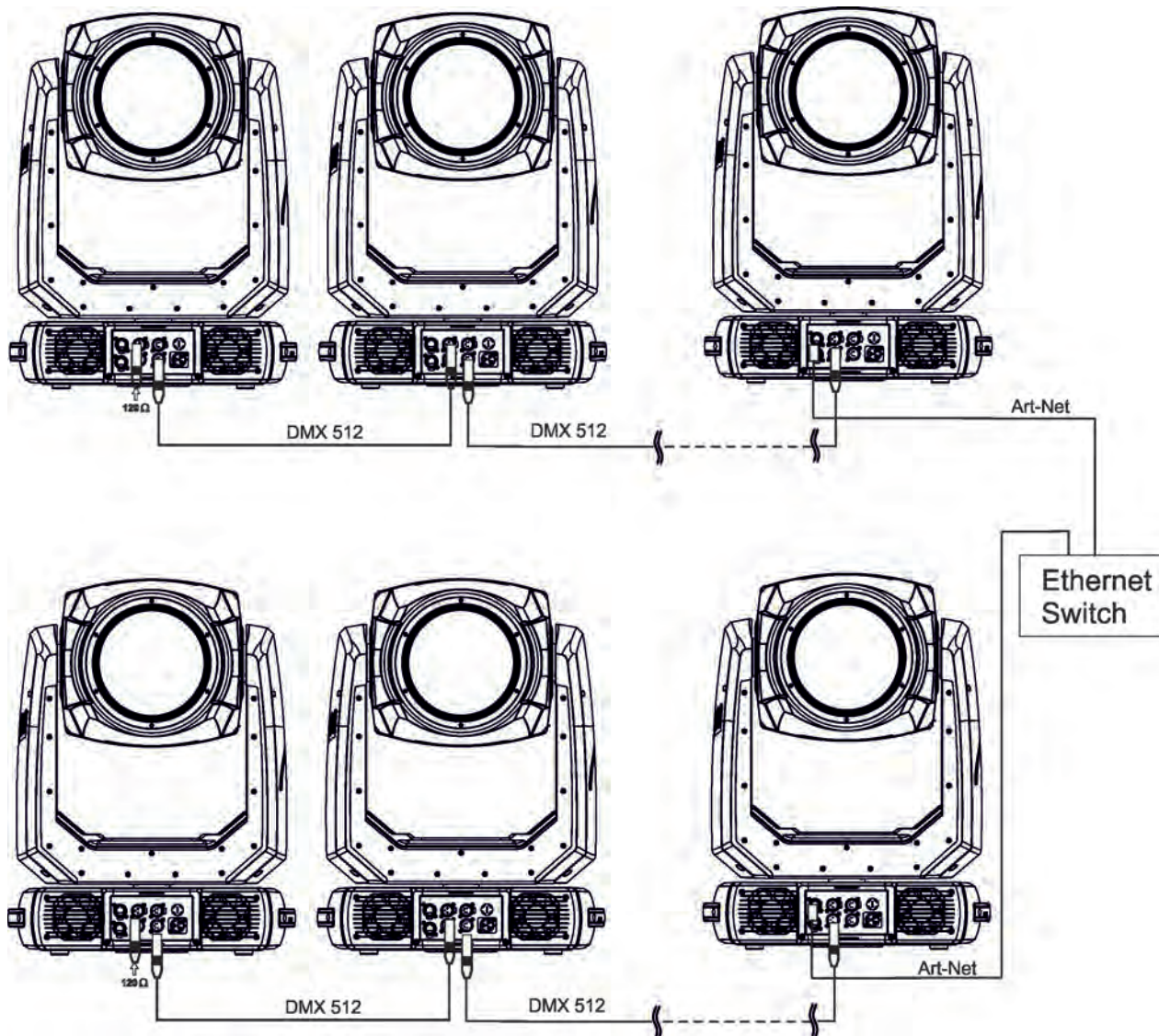
DMX address=1

IP adres=002.168.002.002

Universe=0

DMX address=48

DMX address=144



DMX address=1

IP adres=002.168.002.003

Universe=1

DMX address=48

DMX address=144

## 4.8 Wireless DMX operation

The wireless version of the fixture is equipped with the Lumen Radio CRMX module and antenna for receiving DMX signal. CRMX module operates on the 2.4 GHz band.

The item " Wireless " from the menu "DMX Input" allows you to activate receiving of wireless DMX (Personality--> DMX Input -->Wireless.). First two options from the "DMX Input" menu are stated in DMX chart as well (channel Power/Special functions , range of 10-19 DMX). If DMX input option is changed by DMX command, the change is permanently written into fixture's memory.

**DMX range of 10-19 switching fixture to the wired/wireless operation is active only during first 10 seconds after switching the fixture on.**

After switching the fixture on, the fixture checks both modes of receiving DMX in the following order:

1. For the first five seconds, the fixture receives DMX signal from the wired input. If the Power/Special functions channel is set at some DMX input option, the fixture will receive DMX value according to this option. If DMX input option is set to the wired input , this option is saved and checking procedure is finished. If DMX input option is not set, the fixture continues next 5 seconds in scanning wireless DMX signal-see point 2.

2. For the next 5 seconds the fixture receives wireless DMX signal and again detects if the Power/Special functions channel is set at some DMX input option, if not, the fixture will take option which is set in the fixture menu "DMX Input".

To link the fixture with DMX transmitter.

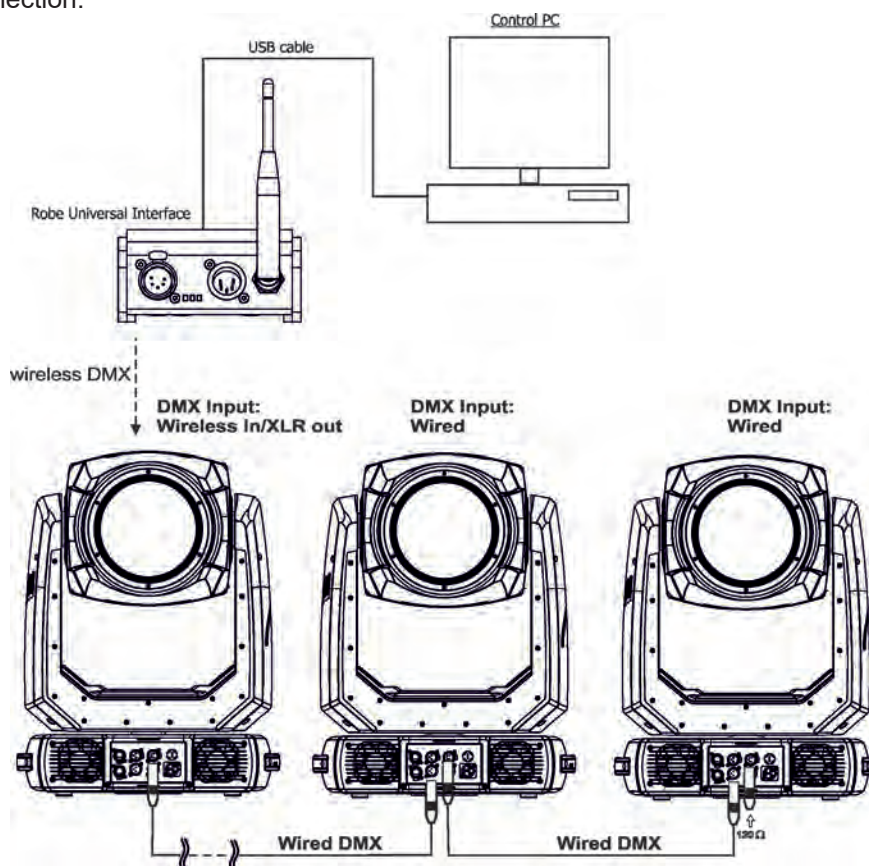
The fixture can be only linked with the transmitter by running the link procedure at DMX transmitter .

After linking , the level of DMX signal ( 0-100 %) is displayed in the menu item "Wireless State" (Information -->Wireless State).

To unlink the fixture from DMX transmitter.

The fixture can be unlinked from transmitter via the menu item " Unlink Wireless Adapter" (Information--> Wireless State --> Unlink Wireless Adapter).

Example of connection:



## 5. Remotely controllable functions

### 5.1 Colour influencing functions

Factory setting of menu functions (channels) which influence behaviour of colour channels is the following:

Function	Factory setting	Function	Factory setting
DMX mode	1	Uniformity	Off
Colour calibration mode	On	Colour mix control	0 DMX
Colour mixing mode	CMY	CTC	110 DMX (5600K)
Dimmer curve	Square law	CRI Selection	Standard (80)
Tungsten effect simulation	Off	Green correction	Uncorrected
Chromatic white	Off	Shutter/Strobe	Open (32 DMX)
Light output stability	Off	Dimmer	Closed (0 DMX)

#### Colour calibration mode (*menu tab "Personality"*)

The function switches on/off an internal control of colours. For a standard operation of the fixture the option should be switched on. Option off has to be set during colour calibration of the fixture (in this mode some functions e.g. Tungsten effect, Virtual colour wheel are disabled).

#### Colour mixing system (*menu tab "Personality", DMX channel "Colour functions"*)

This item allows selection between RGB and CMY mode. In both 3-colour controlling modes (Mode 1, Mode 2) all internal 5 colours are always utilized where possible.

#### Dimmer curve (*menu tab "Personality", DMX channel "Colour functions"*)

The fixture allows you to select a linear dimmer curve or a square law curve.

#### Tungsten effect simulation (*menu tab "Personality", DMX channel "Colour functions"*)

The function simulates behaviour of a halogen lamp during dimming at calibrated white colours 2700K - 4200K. You can select from various lamp wattage simulation: 750W, 1000W, 1200W, 2000W, 2500W. If the function Chromatic white is on, the Tungsten effect will influence also mixed colours.

#### Saving user colours (*DMX channel "Colour functions"*)

To save user colours:

1. Set the function White Point to off (Channel Colour Mix Control, range 70-79 DMX).
1. Mix desired colour on colour channels.
2. Stay in desired position of user colours (216-235 DMX) on the Virtual colour wheel for 1 sec.
3. Leave the range of user colours (216-235 DMX) on the Virtual colour wheel.
4. Repeat steps 2-4 for next user colour.
5. To permanently save user colours, stay for 3 sec. at DMX range of 110-114 on the channel Colour functions. After that the colour system will be reset (this action can last about 2 minutes). Previous user colours will be overwritten.

#### Chromatic white (*menu tab "Personality", DMX channel "Colour functions"*)

If the function is on, the CTC channel influences calibrated white colours and mixed colours (also colours on Virtual colour wheel).

If the function is off, the CTC channel influences calibrated whites only.

#### Light output stability (*menu tab "Personality", DMX channel "Colour functions"*)

If the function is on, the light output from the fixture is immediately reduced to a value corresponding to a thermal drop of the light intensity from the LED engine (the thermal drop of light intensity - decreasing of the light intensity on circa 90 % of starting level after first 5 minutes, then is the thermal drop of light intensity inconsiderable).

#### Output uniformity (*menu tab "Personality", DMX channel "Colour functions"*)

If the function is on, the light intensity from the fixture is corrected in order to get approximately the same light intensity as from another fixture which has also the function on. Light outputs from more fixtures will have approximately the same light intensity. Thanks to the function, light outputs from more fixtures will have approximately the same light intensity.

### **Colour Mix control (DMX channel "Colour Mix control")**

The Colour Mix control channel defines relation between colour channels (Cyan, Magenta, Yellow, Red, Green, Blue, Amber, Light Green and CTC ) and the colours on the virtual colour wheel:

<b>DMX value</b>	<b>Function</b>
0 - 9	Virtual colour wheel has priority over colour channels (default setting)
10-19	Maximum mode (highest values have priority)
20-29	Minimum mode (lowest values have priority)
30-39	Multiply mode (multiply virtual colour wheel and colour channels)
40-49	Addition mode (virtual colour wheel + colour channels)
50-59	Subtraction mode (virtual colour wheel – colour channels)
60-69	Inverted Subtraction mode (virtual colour wheel – colour channels)
70-79	White Point Off (CTC+green correction+virtual col. wheel deactivated)
80-128	Reserved
129	Crossfade Virtual colour wheel only
130-254	Crossfade between virtual colour wheel and colour channels
255	Crossfade colour channels only

### **CTC (DMX channel " Colour temperature correction")**

The CTC channel allows you to change a colour temperature of calibrated white colours in range of 8000K-2700K and also can influence mixed colours including colours on the Virtual colour wheel.

For correct function of the CTC channel on calibrated white colours, the following conditions have to be kept:

1. The Colour calibration mode has to be set on.

If the Chromatic white is set off, the CTC channel influences white colours only.

If the Chromatic white is set on, the CTC channel influences white colours and mixed colours including colours on the Virtual colour wheel.

2. The following channels have to be set at:

Virtual colour wheel at 0 DMX

Green correction at 128 DMX

Colour mix control channel at 0 DMX

3. Colour channels have to be set depending on the colour mixing mode and the DMX mode.

#### CMY colour mixing mode.

##### *DMX mode 1:*

Channels Cyan/Red, Magenta/Green and Yellow/Blue (both 8-bit and 16-bit channels for each colour) have to be set at 0 DMX or at the same DMX value (except 255 DMX).

##### *DMX mode 2:*

Channels Cyan/Red, Magenta/Green and Yellow/Blue have to be set at 0 DMX or at the same DMX value (except 255 DMX) .

##### *DMX mode 3:*

The mode is not intended for CMY colour mixing mode.

#### RGB(A,LG) colour mixing mode

##### *DMX mode 1:*

Channels Cyan/Red, Magenta/Green and Yellow/Blue (both 8-bit and 16-bit channels for each colour) have to be set at 255 DMX or at the same DMX value (except 0 DMX).

##### *DMX mode 2:*

Channels Cyan/Red, Magenta/Green and Yellow/Blue have to be set at 255 DMX or at the same DMX value (except 0 DMX).

##### *DMX mode 3:*

Channels Red, Green, Blue, Amber, Light Green (both 8-bit and 16-bit channels for each colour) have to be set at 255 DMX or at the same DMX value (except 0 DMX).

4. Shutter and dimmer have to be open.

### **CRI correction (DMX channel " CRI Selection")**

The channel allows you to set CRI from Standard (80) to High (90+). Default setting is to 0 DMX (Standard CRI).

**Green correction (DMX channel "Green correction ")**

The channel allows you a fine correction of colours (whites, mixed colours, colours on the Virtual colour wheel).  
E.g. white colour from red to green tint.

**Virtual colour wheel (DMX channel " Virtual colour wheel")**

The virtual colour contains 67 preset colours and 10 user colours.

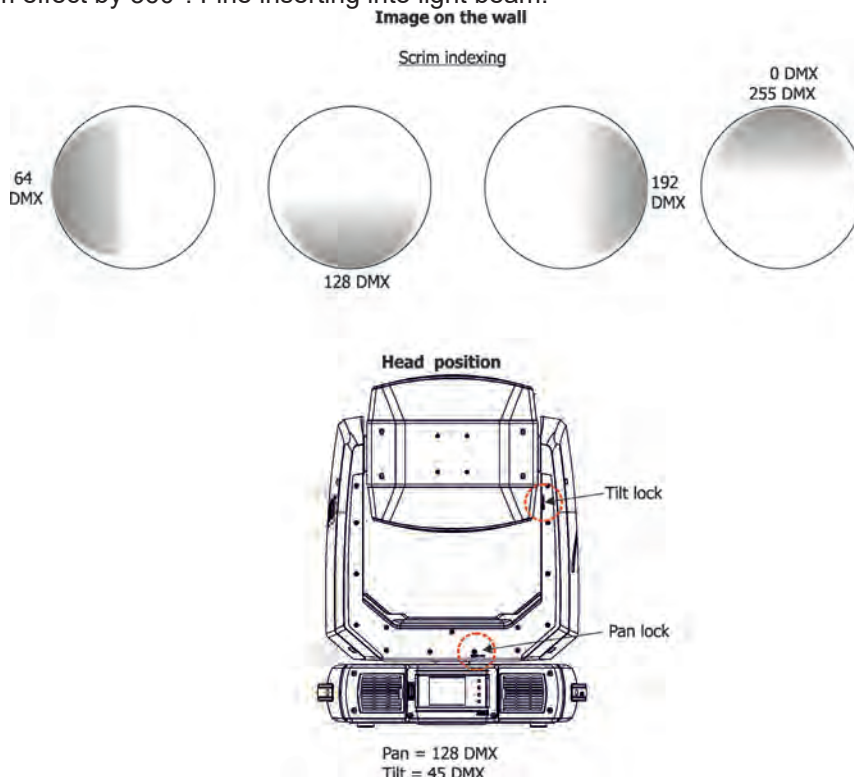
**Dimmer/Shutter (DMX channels " Shutter/Strobe" and "Dimmer Intensity")**

Smooth 0 - 100 % dimming is provided by the electronic control unit of the light source. The control of the light source also allows strobe effects with variable speed.

## 5.2 Effect functions

### Scrim effect

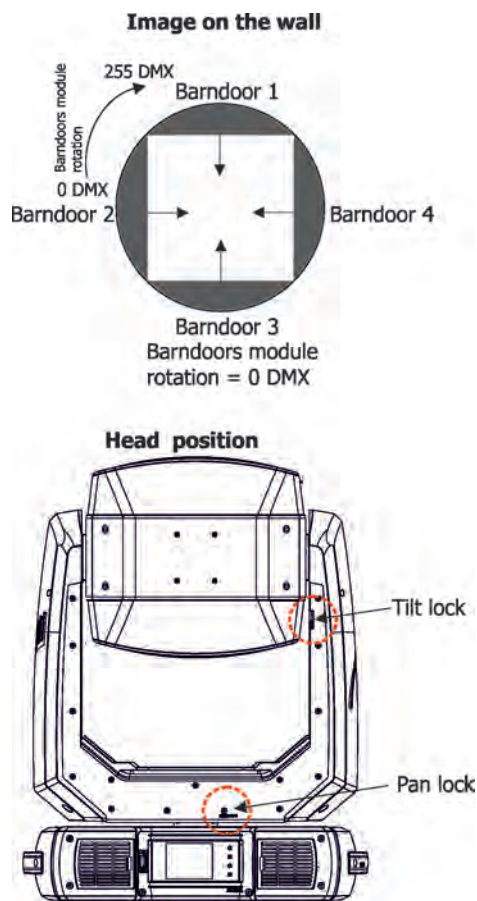
Indexable scrim effect by 360°. Fine inserting into light beam.



### Barndoors

The fixture uses an internal barndoors module for creating different shapes, which also simulates barn door effects. The barndoors module consists of four individually controllable blades and is rotatable by 180 degrees.

Barndoors orientation:



## Frost

Two frost filters (light 5° and medium 10°) provide variable frost for fine frosting. The medium frost is replaceable.

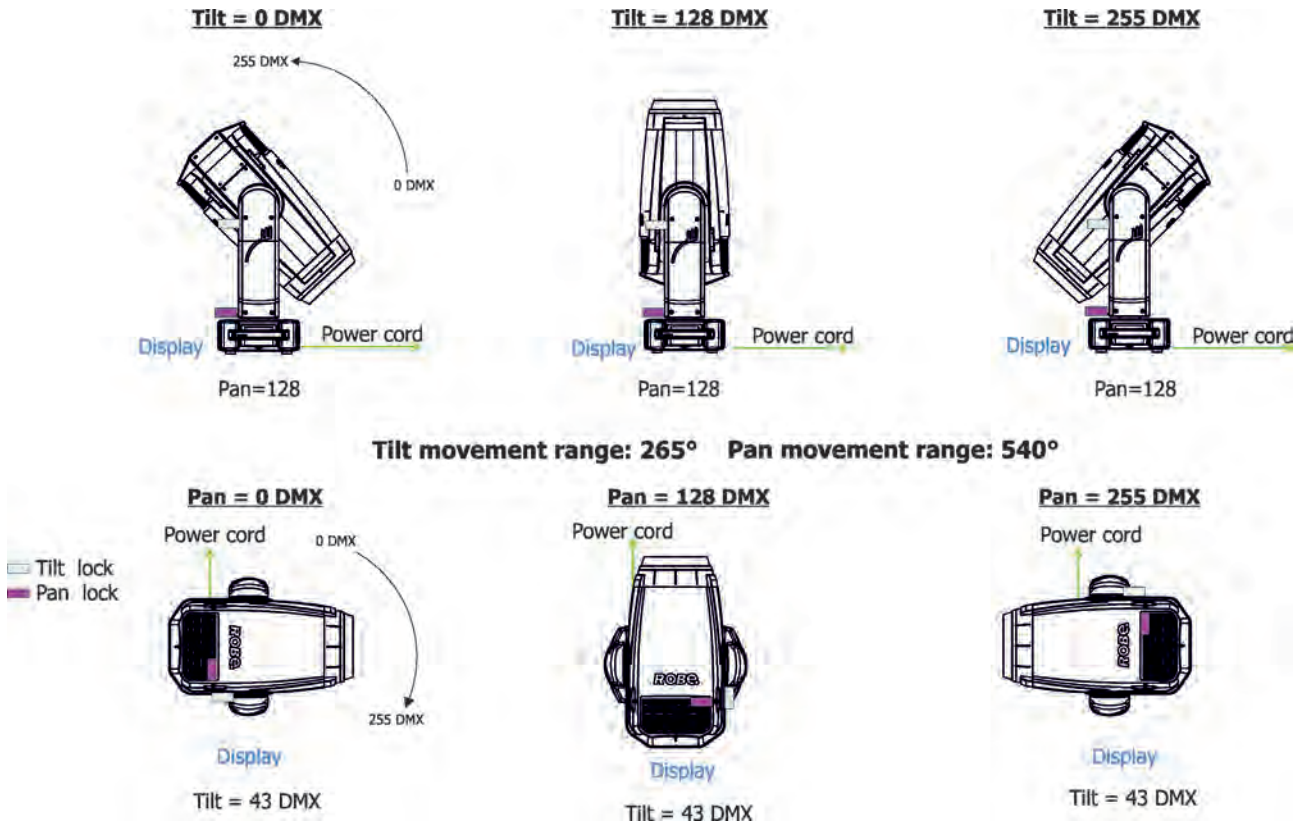
## Zoom

Motorized zoom unit enables zoom between 6.6° - 62° (PC lens) and 7.7° - 62° (Fresnel lens).

## Pan/Tilt

Fast pan/tilt movement due to built-in electronic motion stabilizer (EMS). The electronic motion stabilizer ensures precise position of the fixture's head during its movement and reduces its swinging when the truss shakes.


Pan /Tilt movement range: 0-540°/0-265°.






## 6. Control menu map

Default settings=**Bold print**

Tab	Level 1	Level 2	Level 3	Level 4	Level 5	Level 6
Addressing	Settings	DMX Address	001-512			
	DMX Presets	<b>Mode 1</b>				
		Mode 2				
		Mode 3				
		View Selected Preset				
	Ethernet Settings	Ethernet Mode	Disable			
			ArtNet			
			gMA1			
			gMA2			
			sACN			
		Ethernet To DMX	<b>Off</b> , On			
		IP Address/Net Mask	Default IP Address			
			Custom IP Address			
			Net Mask			
		ArtNet Universe	0-255			
		MANet settings	MANet/II Universe	01-256		
			MANet Session ID	01-32		
		sACN Settings	sACN Universe	00001-32000		
Information	Fixture Times	Power On Time	Total Hours			
			Resetable Hours			
		LEDs On Time	Total Hours			
			Resetable Hours			
		Air Filters	Elapsed Time			
			Alert Period	10-300		
	Fixture Temperatures	LEDs Temperatures	Cur.	RA, GY, B		
			Max.	RA, GY, B		
			Max.Res.	RA, GY, B		
		LEDs Brd. 1 Temperature	Current			
			Maximum NonRes.			
			Maximum Res.			
		LEDs Brd. 2 Temperature	Current			
			Maximum NonRes.			
			Maximum Res.			
		Base Temperature	Current			
			Maximum NonRes.			
			Maximum Res.			
	DMX Values	Pan				
		:				
		Dimmer Fine				
	Wireless State	Signal Quality				
		Unlink Wireless Adapter				
	Power Channel state					
	Colour functions state					
	Software Versions	Display System				
		Module M				
		Module L-A				
		Module L-B				
		Module L-C				
		Module O				

Tab	Level 1	Level 2	Level 3	Level 4	Level 5	Level 6
		Module F-A				
		Module F-B				
		Module G				
		Module FR				
	Product IDs	Mac Address				
		RDM UID				
		RDM Label				
	View Logs	Fixture Errors				
		Fixture States	Power On			
			Power Off			
		Fixture Position				
		Fixture Temperatures	LEDs B.1 Temperature			
			LEDs B.2 Temperature			
			Base Temperatures			
Personality	User Mode	User A Settings				
		User B Settings				
	DMX Presets	<b>Mode 1</b>				
		Mode 2				
		Mode 3				
		View Selected Preset				
	DMX Input	<b>Wired</b>				
		Wireless				
		Wireless In/XLR Out				
	Pan/Tilt Settings	Pan Reverse	<b>Off, On</b>			
		Tilt Reverse	<b>Off, On</b>			
		Pan/Tilt Feedback	<b>Off, On</b>			
		Pan/Tilt mode	Time			
			<b>Speed</b>			
	Pan/Tilt EMS	<b>On, Off</b>				
	Microphone Sensitivity	1-10-20				
	Blackout Settings	Blackout During M.C.	<b>Off, On</b>			
		Blackout while:	Pan/Tilt moving	<b>Off, On</b>		
	Quiet Mode	<b>Off</b>				
		Quiet	0-100%			
	Colour Calibration Mode	<b>On, Off</b>				
	Colour Mixing Mode	<b>CMY, RGB</b>				
	Chromatic White	<b>Off, On</b>				
	Light Output Stability	On, <b>Off</b>				
	Output Uniformity	On, <b>Off</b>				
	Frequency Setup	300 Hz				
		<b>600Hz</b>				
		1200Hz				
		2400Hz				
		Frequency Adjust				
	User Colours	View User Colours	View User Colour 1.. View User Colour 10			
		Distribute User Colours				
	Thungsten Eff. Sim.	<b>Off</b>				
		750W				
		1000W				
		1200W				
		2000W				
		25000W				
	Init Effect Positions	Pan	0-255			

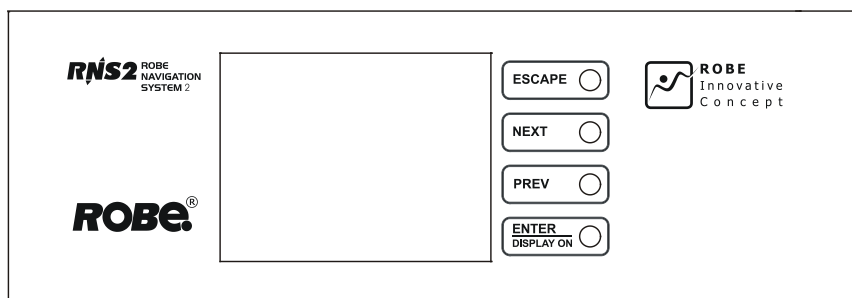
Tab	Level 1	Level 2	Level 3	Level 4	Level 5	Level 6
		:				
		Dimmer Fine	0-255			
	Screen Settings	Display Intensity	1-10			
		Screen Saver Delay	Off-10min.			
		Touchscreen Lock	Off-10min.			
		Recalibrate Touchscreen				
		Display Orientation	Normal			
			Inverted			
			Auto			
	Temperature Unit	°C, °F				
	Fan Mode	Auto				
		High				
	Dimmer Curve	Linear				
		Square law				
	Date & Time Settings					
	Default Settings					
	Password Protection	Off, On				
	Reset Web Password					
Manual Control	Reset Functions	Total System Reset				
		Pan/Tilt reset				
		Scrim Reset				
		Optics/Frost Reset				
		Barndoor.Reset				
	Manual Effect Control	Pan	0-255			
		:				
		Dimmer Fine	0-255			
Stand -Alone	Test Sequences	Dynamic Mode				
		Static Mode	Pan	0-255		
			Tilt	0-255		
			Zoom	0-255		
			Focus	0-255		
	MusicTrigger	Off, On				
	Preset Playback	None				
		Test				
		Prog. 1				
		Prog. 2				
		Prog. 3				
	Play Program	Play Program 1				
		Play Program 2				
		Play Program 3				
	Edit Program	Edit Program 1	Start Step	1-80		
		Edit Program 2	End Step	1-80		
		Edit Program 3	Edit Program Steps	Step 1	Pan	0-255
				:	:	
				:	Dimmer Fine	0-255
				:	Step Time	0-25,5 sec.
				Step 100	Pan	0-255
					:	
					Dimmer Fine	0-255
					Step Time	0-25,5 sec.

Tab	Level 1	Level 2	Level 3	Level 4	Level 5	Level 6
Service	Adjust DMX Values	Pan	0-255			
		:				
		Dimmer Fine	0-255			
	Calibrations	Calibrate Effects	Pan	0-255		
			Tilt	0-255		
			Zoom	0-255		
			Focus	0-255		
			Frost 1/1	0-255		
			Frost 1/2	0-255		
			Frost 2/1	0-255		
			Frost 2/2	0-255		
			Barndoors rotation.	0-255		
			Barndoor 1 Move	0-255		
			Barndoor 2 Move	0-255		
			Barndoor 3 Move	0-255		
			Barndoor 4 Move	0-255		
			Scrim Positioning	0-255		
			Scrim infexing	0-255		
		Calibrate colours	Red Calibration	0-255		
			Green Calibration	0-255		
			Blue Calibration	0-255		
			Amber Calibration	0-255		
			Light GreenCalibration	0-255		
		Green Corrections	110-145			
		Opto Corrections				
		Calibrate Pan/Tilt EMS				
		Load Default Calibrations				
	LEDs HW Version					
	Front Lens	Fresnel Lens				
		PC Lens				
	Update Software					

## 7. Control menu

The fixture is equipped with the QVGA Robe touch screen with battery backup which allows you to set the fixture's behaviour according to your needs, obtain information on its operation, control all range of effects and program it in stand-alone mode.

The fixture's menu can be controlled either by the control buttons or directly by touching the icon.



### Control buttons on the front panel:

[ESCAPE] button used to leave the menu without saving changes.

[NEXT] , [PREV] buttons for moving between menu items and symbols, adjusting values.

[ENTER/Display On] button used to enter the selected menu (menu item) and to confirm adjusted value.

If the fixture is disconnected from mains, the button switches the touch screen on.

### Icons used in the touch screen menu:



- [back arrow] used to move back to the previous screen (menu).



- [up arrow] used to move up on the previous page.



- [down arrow] used to move down on the next page.



- [confirm] used to save adjusted values, to leave menu or to perform desired action.



- [cancel] used to leave menu item without saving changes.



- [confirm+copy] used to save adjusted values and copy them to the next prog. step.



- [warning icon] used to indicate some error which has occurred in the fixture.



- [Ethernet] used to indicate Ethernet connected.



- [menu rotation] used to rotate menu 180 degrees from current orientation.



- [slider control] used to recall slider system for setting desired value.



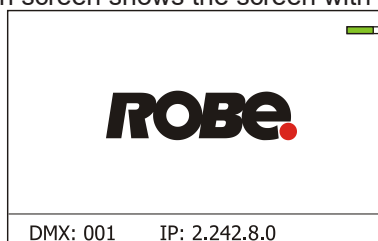
- [keyboard control] used to recall keyboard system for setting desired value.



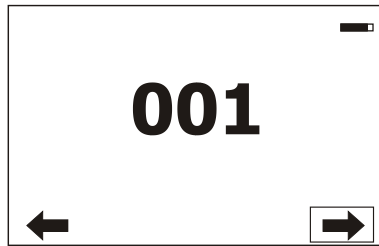
- [air filters cleaning] used to signal that cleaning period of the air filters elapsed.

The menu page displays icons for each function that you can perform from the touch screen.

After switching the fixture on, the touch screen shows the screen with the ROBE logo:



Touch any part of the screen or press the [ENTER/Display On] button to display the initial screen with the current stored DMX address:



Note: The green icon at the top right corner of the screen indicates the level of the display battery charging. If the whole icon is green, the battery is fully charged while the red icon indicates exhausted battery. The battery charges during fixture operation, its charging lasts cca 6 hours.

We recommend that the fixture should be in operation at least 7 hours per week to keep the battery fully charged. If you switch the fixture on and this screen will not appear till 1 minute, switch the fixture off and on again. If the screen lights, the battery is exhausted. In case the screen still does not light, the battery is faulty.

This is also indicated by an error message "Faulty battery" and if such an error message appears the battery should be replaced immediately. The lifetime of the battery is highly dependent on ambient temperature (and consequently on base temperature). If the maximum ambient temperatures (as recorded and displayed in menu: Information -> Fixture Temperatures -> Ambient Temperature -> Maximum NonRes.) are kept within the specified limits, the battery should last for at least two years. Should the ambient temperatures exceed the specified maximum temperature, the lifetime of the batteries could be considerably shortened even up to just one year or less and also result in physical damage (battery leakage) or unreliable fixture functions.

Damage caused by batteries failed due to exceeded maximum ambient temperature cannot be claimed under warranty terms.

Touch the green arrow at the bottom right corner of the screen or press the [ENTER/Display On] button to enter the "Address" menu.

Each item (such as a Tab, menu item, text box, icon) may be selected from a screen by simply touching the item in the list or by pressing the [NEXT] or [PREV] buttons to scroll through list items. With each press, the next item is highlighted. Press [ENTER/Display On] to select the highlighted item.

**Before first fixture operation, set current date and time in the menu "Date & Time Settings" (menu path: Personality--> Date & Time Settings).**

## 7.1 Tab "Address"



**DMX Address** - Select the menu to set the DMX start address.

**DMX Preset** - Use the menu to select desired channel mode.

**DMX Preset** - Use the menu to select desired channel mode.

**Mode 1** - 35 control channels

**Mode 2** - 24 control channels

**Mode 3** - 39 control channels

**View Selected Preset** - Use the menu to display channels included in the selected mode.

**Ethernet Settings** - The menu allows all needed settings for the Ethernet operation

### **Ethernet Mode**

**Disable** - The option disables Ethernet operation.

**Artnet** - Fixture receives Artnet protocol

**gMAI** - Fixture receives MANet 1 protocol

**gMA2** - Fixture receives MANet 2 protocol

**sACN** - Fixture receives sACN protocol

**Ethernet To DMX** - Fixture receives protocol from the Ethernet input and sends DMX data to its DMX output (fixture works as an "Ethernet/DMX converter", next fixture can be connected to its DMX output and you can build a standard DMX chain by connecting another fixtures. Only one fixture has to be connected to the Ethernet.

**IP Address/Net Mask** - Select this menu to set IP address. IP address is the Internet protocol address. The IP uniquely identifies any node (fixture) on a network.

There cannot be 2 fixtures with the same IP address on the network!

**Default IP Address** - Preset IP address, you can set up only first byte of IP address (2 or 10) e.g. **002.019.052.086**.

**Custom IP Address** - The option enables to set up all bytes of IP address.

**Net Mask** - The option enables to set up all bytes of Net Mask.

**ArtNet Universe** - Use this item to set a Universe (0-255). The Universe is a single DMX 512 frame of 512 channels.

**MANet Settings** - Use this menu to set parameters for MANet operation.

**MANet Universe I/II** - The value of this item can be set in range 1-256.

**MANet Session ID** - The value of this item can be set in range 1-32.

**sACN Settings** - Use this menu to set parameters for sACN operation.

**sACN Universe** - The value of this item can be set in range 1-32000.

## 7.2 Tab "Information"



**Fixture Times** - The menu provides readouts of fixture and LED module operation hours.

**Power On Time Hours** - Select this menu to read the number of fixture operation hours.

**Total Hours** - The item shows the total number of the operation hours since the fixture has been fabricated.

**Resetable Hours** - The item shows the number of the operation hours that the fixture has been powered on since the counter was last reset.

In order to reset this counter to 0, touch the text box next to the item "Resetable Hours:"

**LEDs On Time** - Select this menu to read the number of LEDs operation hours.

In order to reset some counter to 0, touch the yellow text box next to desired colour.

**Air Filters** - Regular cleaning of the air filters is very important for the fixture's life and performance.

Build-up of dust, dirt and fog fluid residues reduces the fixture's light output and cooling ability.

The two items of this menu help you to keep cleaning period of the air filters.

**Alert period** - Cleaning schedule for the fixture depends on the operating environment.

It is therefore impossible to specify accurate cleaning interval. This item allows you to change the cleaning interval of the air filters. This "alert" value is 300 hours and it is set as default. Inspect the fixture within its 300 hours of operation to see whether cleaning is necessary. If cleaning is required, clean all air filters and change the value in this menu on acceptable level. Min. level of alert period is 10 hours, max. is 300 hours.

**Elapsed Time** - The item allows you to read the time which remains to cleaning air filters.

The time period is set in the menu mentioned above.

Expired time period is signalled by a negative mark (-) at the time value and a warning icon on the display.

Clean the filters and reset this menu item (by touching the text box next to the item "Elapsed Time").

**Fixture Temperatures** - The menu is used to view temperatures of the fixture's inside.

**LEDs temperatures** - The menu shows temperature on the LED PCBs in the light source (RA=red + amber LEDs, GY=green + light green LEDs, B=blue LEDs).

**Cur.** - A current temperature of the LED PCBs.

**Max.** - A maximum temperature of the LED PCBs since the fixture has been fabricated.

**Max. Res.** - A maximum temperature of the LED PCBs since the counter was last reset.  
In order to reset some counter to 0, touch desired text box under item "Max.Res."

**LEDs Brd.1 Temperature** - The menu shows temperature on the LEDs control PCB (RB 3401-top side with coils) in the fixture head.

**Current** - A current temperature on the LEDs control PCB.

**Maximum NonRes.** - A maximum temperature on the LEDs control PCB since the fixture has been fabricated.

**Maximum Res.** - A maximum temperature on the LEDs control PCB since the counter was last reset.

In order to reset this counter to 0, touch the text box next to the item "Maximum Res."

**LEDs Brd.2 Temperature** - The menu shows temperature on the LEDs control PCB (RB 3401-bottom side) in the fixture head.

**Current** - A current temperature on the LEDs control PCB.

**Maximum NonRes.** - A maximum temperature on the LEDs control PCB since the fixture has been fabricated.

**Maximum Res.** - A maximum temperature on the LEDs control PCB since the counter was last reset.

In order to reset this counter to 0, touch the text box next to the item "Maximum Res."

**Base Temperature** - The menu shows temperature on the display PCB in the fixture base.

**Current** - A current temperature on the display PCB.

**Maximum NonRes.** - A maximum temperature on the display PCB since the fixture has been fabricated.

**Maximum Res.** - A maximum temperature on the display PCB since the counter was last reset.

In order to reset this counter to 0, touch the text box next to the item "Maximum Res."

**DMX Values** - The menu items allows you to read DMX values of each channel received by the fixture.

**Wireless State** - The menu serves for reading of the wireless operation status.

**Unlink Wireless Adapter** - The item serves for unlinking the fixture from a DMX transmitter.

If the wireless module is not installed in the fixture, message "Wireless Module Not Installed" will appear.

**Power Channel State** - Select this item to see current setting of the functions, which can be set by menu items in "Personality" as well as by DMX command at channel "Power/Special functions".

**Colour Functions State** - Select this item to see current setting of the colour functions, which can be set by menu items in "Personality" as well as by DMX command at channel "Colour functions".

**Software Version** - Select this item to read the software version of the fixture processors:

**Display System** - A display processor on the display board in the fixture base

**Module M** - Pan/Tilt processor

**Module L-A** - LEDs control processor

**Module L-B** - LEDs control processor

**Module L-C** - LEDs control processor

**Module O** - Focus/Zoom/control processor

**Module F-A** -Barndoors control processor

**Module S-C** - Scrim effect control processor

**Module FR** - Frost control processor

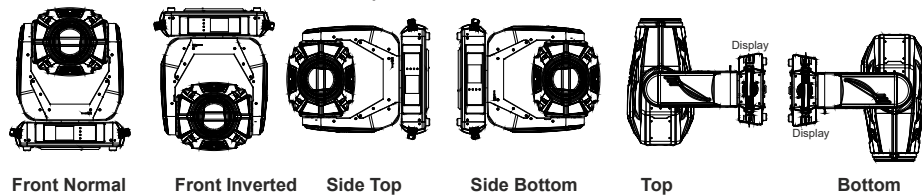
**Product IDs** - The menu is used to read the MAC Address ,RDM UID and RDM Label.

**View Logs** - Use this menu to read fixture's data which have been recorded during fixture operation. This collected data allows easier troubleshooting.

**Fixture Errors** - Use this menu to read fixture errors which have occurred during fixture operation.

**Fixture States** - Recorded fixture states as power on and power off.

**Fixture Positions** - Recorded installation positions of the fixture:



**Fixture Temperatures** - In the menu are recorded temperatures which have exceeded defined levels.

Note: The log buffer can contain max. 8000 records. If the buffer is full, old data will be overwritten.

## 7.3 Tab "Personality"



**User mode** - The fixture allows you to recall two user settings. After switching the fixture on for the first time, the User A settings is active. Now all changes made in the "Personality" menu, "Addressing" menu and the "Music Trigger" and "Preset Playback" items from the "Stand-alone" menu are saved to the User A settings. If you now select the User B settings, from this moment the changes made in these menus will be saved to the User B settings. After switching the fixture off and on, the User B setting is active. In this way you may use the two fixture operating behaviours.

**User A Settings** - the function recalls the user A settings.

**User B Settings** - the function recalls the user B settings.

**DMX Preset** - Use the menu to select desired channel mode.

**Mode 1** - 35 control channels

**Mode 2** - 24 control channels

**Mode 3** - 39 control channels

**View Selected Preset** - Use the menu to display channels included in the selected mode.

**DMX Input** - Use the menu to select mode of DMX signal receiving.

**Wired** - DMX signal is received by means of the standard DMX cable.

**Wireless** - DMX signal is received by means of the inbuilt wireless module.

**Wireless In/XLR Out** - the fixture receives wireless DMX and sends the signal to its wired DMX output.

The fixture behaves as "Wireless/Wired" adapter.

The options "Wired" and "Wireless" are also stated in DMX chart (channel Power/Special functions).

Note. If the wireless module is not installed in the fixture, the following message will appear:

DMX Input Set to Wired  
Wireless Module Missing

If the fixture is not connected to mains, the message "Not Available In Offline Mode" will appear after entering the menu DMX Input. To enter this menu, the fixture has to be connected to mains.

**Pan/Tilt Settings** - Use the menu set behaviour of both pan and tilt movements.

**Pan Reverse** - The item allows to invert pan movement.

**Tilt Reverse** - The item allows to invert tilt movement.

**Pan/Tilt Feedback** - The item allows to return the mowing head to the required pan/tilt position after changing the position by an external force if this option is set on.

Note. Be careful, the Pan/Tilt Feedback should be permanent On, the option Off is not suitable for standard operation and the head of the fixture can be damaged!

**Pan/Tilt mode** - Use this menu to set the mode of the pan/tilt movement

**Time mode** - The pan and tilt will move with different speeds and they will come at the same time to the end point of their tracks (pan and tilt use their optimal speeds). Time of the pan/tilt movement (25.5 sec. max.) is set by the channel "Pan/Tilt speed, Pan/Tilt time".

**Speed Mode** - Both Pan and tilt will move with the same speed as adjusted at the channel "Pan/Tilt speed, Pan/Tilt time".

**Pan/Tilt EMS** - Built-in electronic motion stabilizer ensures precise position of the fixture's head during its movement and also reducing its swinging when the truss shakes.

**Microphone Sensitivity** - Enter the menu if you want to adjust the microphone sensitivity from 1 (max.) to 20 (min.).

**Blackout Settings** - Use the menu if you need to close the light output under certain conditions which are described below

**Blackout During MC** - Blackout during movement correction. Set this option On if you wish to close light output during the time when the head goes to its correct position from which has been changed by an external force.

**Active Blackouts** - Use this menu if you wish to close the light output during effect changes.

**Pan/Tilt Moving** - The menu item enables to close light output while the pan/tilt DMX values are changing.

**Quiet Mode** - The mode reduces noise of the fixture due to adjustment of the fans speed.

**Off** - The option is disabled

**Quiet** - After selecting this item, the option "Fan Noise Level" is accessible where desired level of fans noise (speed) can be set .

Note: The light output of the fixture may be reduced at low speed of fans.

**Colour Calibration Mode** - the function switches on/off an internal control of colours. For a standard operation of the fixture the option should be switched on. Option off has to be set during colour calibration of the fixture.

**Colour Mixing Mode** - This item allows selection between RGB and CMY mode. In both 3-colour controlling modes (Mode 1, Mode 2) all internal 5 colours are always utilized where possible

**Chromatic White** - If this function is on, the CTC channel influences colours and calibrated white colours. If this function is off, the CTC channel influences calibrated whites only.

**Light Output Stability** - If the function is on, the light output from the fixture is immediately reduced to a value corresponding to a thermal drop of the light intensity from the LED engine (the thermal drop - decreasing of the light intensity on 87 % of a starting level after first 5 minutes, then is the thermal drop inconsiderable).

**Output Uniformity** - If the function is on, the light intensity from the fixture is corrected in order to get approximately the same light intensity as from another fixture which has also the function on. Thanks to the function, light outputs from more fixtures will have approximately the same light intensity.

**Frequency Setup** - The function allows you to set the PWM (Pulse Width Modulation) output frequency of LEDs to 300Hz, 600Hz, 1200Hz or 2400Hz.

**Frequency Adjust** - The menu item allows you fine adjustment of the LED frequency around selected frequency.

**User Colours** - Use this menu to change the touch screen settings.

**View User Colours** - The item allows you to read DMX values of colour channels for each user colour (1-10).

**Distribute User Colour** - The item allows you to "send" user colours from this fixture to all connected Robin T2 Fresnel/T2 PC fixtures by means of RDM protocol. User colours in the fixtures will be overwritten.

**Tungsten effect simulation** - This function simulates behaviour of a halogen lamp during dimming at calibrated whites 2700K-4200K. You can select from various lamp wattage simulation: 750W, 1000W, 1200W, 2000W, 2500W.

**Init Effect Positions** - Use the menu to set all effects to the desired positions at which they will stay after switching the fixture on without DMX signal received.

**Screen Settings** - Use this menu to change the touch screen settings.

**Display Intensity** - The item allows to control the intensity of the screen (1-min., 10-max.).

**Screen saver Delay** - The item allows you to keep the screen on or to turn it off automatically after 1-10 minutes after last touch (or pressing any button on the control panel).

**Touchscreen Lock** - The item allows you to lock the screen after last touch (or pressing any button on the control panel). The time delay can be set in range of 1-10 minutes. To unlock the screen, press the [ENTER/Display On] button.


**Recalibrate Touchscreen** - The item starts calibration of the touch screen. Follow the instructions on the screen.

**Display Orientation** - The menu allows to change display orientation.

**Normal** - Standard display orientation if the fixture is placed horizontally (e.g. on the ground).

**Inverted** - Inverted orientation (needed if the fixture is hanging on the truss).

**Auto** - The option activates a gravitation sensor for automatic screen orientation.

Note: **Auto** option is set as default. You change the display orientation by touching the icon  on the display, and the option set in the "Display Orientation" menu is temporarily overridden.

**Temperature unit** - Use the menu item to change temperature unit from °C to °F.

**Fan Mode** - Use the menu to set the fixture fans to max. power mode ("**High**") or to the auto-control mode ("**Auto**").

**Dimmer Curve** - Use the menu to select desired dimmer curve: Linear or Square Law.

**Date & Time Settings** - Use this menu to set current date and time for the fixture log system (menu "View Logs"). Set this menu items before first fixture operation.

**Default Settings** - The menu item allows to set all fixture parameters in this menu to the default (factory) values except items "DMX Input".

**Password Protection** - allows to enter password in order to prevent unauthorized person from changing setting of the fixture.

**Reset Web Password** - The menu item allows you to reset a password for access on the Web server (default password: 2479, user: robe).

## 7.4 Tab "Manual Control"



**Reset Functions** - The menu allows to reset the fixture either per function modules or all modules together.

**Total System Reset** - The item resets all function modules.

**Pan/Tilt Reset** - The item resets a pan and a tilt.

**Scrim Reset** - The item resets a scrim module.

**Optics/Frost Reset** - The item resets a zoom and frost module.

**Barndoors Reset** - The item resets a barndoors module.

**Manual Effect control** - Use the menu to control all fixture channels by means of the control panel.

## 7.5 Tab "Stand-alone"



**Test Sequences** - Use the menu to run a test/demo sequences without an external controller, which will show you some possibilities of using the fixture.

**Dynamic Mode** - This mode uses all fixture functions including pan/tilt movement and therefore is good for a complete introduction of the fixture.

**Static Mode** - This mode is suitable for projections on the wall, ceiling or ground without any pan/tilt movement. Adjust the pan, tilt, zoom and focus to desired positions and start test sequences by touching the green ► icon.

**Music Trigger** - Use the item to activate the sound control of the running program via the built-in microphone.

**Preset Playback** - This menu allows you to select the program which will be played in a loop after switching the fixture on (the option is commonly used in a stand-alone operation without an external controller).

**None** - The option disables "Presetting playback" function.

**Test** - The option starts the test sequences.

**Prog. 1** - The option starts user program No. 1.

**Prog. 2** - The option starts user program No. 2.

**Prog. 3** - The option starts user program No. 3.

**Play program** - Use the menu to run desired program in a loop.

**Play Program 1** - The option starts user program No.1.

**Play Program 2** - The option starts user program No. 2.

**Play Program 3** - The option starts user program No. 3.

**Edit Program** - Use the menu to create or to edit desired program. The fixture offers 3 free programs, each up to 80 steps.

**Edit Program 1** - The option allows to edit user program No.1.

**Edit Program 2** - The option allows to edit user program No.2.

**Edit Program 3** - The option allows to edit user program No.3

To edit program:

1. Touch the item which you want to edit ("Edit Program 1" - "Edit Program 3").

2. Touch the item "Edit Program Steps".

3. Touch the item "Step 1".

4. From the list of effects touch desired effect and set its value. Browse through the list by touching the [up arrow] and [down arrow] and set all desired effects.

An item "Step Time" (value of 0-25.5 sec.) is the time during which effects last in the current step

5. Save adjusted effects to the current step by touching the [confirm] or save and copy them to the following step by touching the [confirm+copy]. By touching the text box "Preview" next to the current program step you can view created scene.


6. Repeat the steps 4 and 5 for next program steps.


7. After editing desired program steps, adjust the length of the program by touching the text boxes "Start Step" and "End Step".


Meaning of the icons used in the "Edit Program" menu:

 - moves down on the next page

 - saves adjusted values and leaves menu

 - moves up on the previous page

 - saves values to the current step and copy them to the following prog. step

 - leaves menu without saving values

## 7.6 Tab "Service"



**Adjust DMX Values** - The menu allows you to set all effects to desired positions before fine calibration of the effects .

**Calibrations** - This menu enables fine calibration of fixture effects and download default calibration values.

**Calibrate Effects** - The menu allows the fine adjustment of effects.

**Pan**- a pan position fine adjustment (value range: 0-255)

**Tilt** - a tilt position fine adjustment (value range: 0-255)

**Zoom** - a zoom module fine movement (value range: 0-255)

**Focus** - a focus module (colour edge correction) fine movement (value range: 0-255)

**Frost 1/1** - a light frost fine position movement 1 (value range: 0-255)

**Frost 1/2** - a light frost fine position movement 2 (value range: 0-255)

**Frost 2/1** - a medium frost fine position movement 1 (value range: 0-255)

**Frost 2/2** - a medium frost fine position movement 2 (value range: 0-255)

**Barndoors rotation** - a fine rotation of the barndoors module (value range: 0-255)

**Barndoor 1 move** - a fine movement of the barndoor 1 (value range: 0-255)

**Barndoor 2 move** - a fine movement of the barndoor 2 (value range: 0-255)

**Barndoor 3 move** - a fine movement of the barndoor 3 (value range: 0-255)

**Barndoor 4 move** - a fine movement of the barndoor 4 (value range: 0-255)

**Scrim positioning** - a fine positioning of the scrim (value range: 0-255)

**Scrim indexing** - a fine rotation of the scrim (value range: 0-255)

*Calibration of the effects via the control board*

1. Disconnect DMX controller from the fixture and enter the "Calibrate Effects" menu.

2. Use the [up arrow] and [down arrow] to find "Pan" and touch it to enter the fine effect adjustment screen.

3. Set desired value and save it by touching the [confirm].

4. Repeat steps 2 and 3 for next item

5. After calibrating all effects, touch the [confirm] to save all adjusted values and reset the fixture.

## Calibration of the effects via the DMX controller

1. Connect DMX controller to the fixture and enter the "Calibrate Effects" menu.

Calibration protocol:

<b>Effect</b>	<b>Mode 1</b>	<b>Mode 2</b>	<b>Mode 3</b>
Pan	channel 36	channel 25	channel 40
Tilt	channel 37	channel 26	channel 41
Zoom	channel 38	channel 27	channel 42
Focus	channel 39	channel 28	channel 43
Frost 1/1	channel 40	channel 29	channel 44
Frost 1/2	channel 41	channel 30	channel 45
Frost 2/1	channel 42	channel 31	channel 46
Frost 2/2	channel 43	channel 32	channel 47
Barndoors rotation	channel 44	channel 33	channel 48
Barndoor 1 move	channel 45	channel 34	channel 49
Barndoor 2 move	channel 46	channel 35	channel 50
Barndoor 3 move	channel 47	channel 36	channel 51
Barndoor 4 move	channel 48	channel 37	channel 52
Scrim positioning	channel 49	channel 38	channel 53
Scrim indexing	channel 50	channel 39	channel 54

**Calibrate Colours** - The menu serves for calibration of white colours in a factory.

**Green Corrections** - The menu allows you to correct calibrated whites 2700K, 3200K, 4200K, 5600K and 8000K. Both shutter and dimmer have to be open during the correction.

**Opto Corrections** - This menu item runs a procedure which measures a light intensity of each colour of the LEDs module installed in the fixture and compares it with value measured during fixture calibration in ROBE factory. This procedure takes about 1 minute (messages "Red Corrections...Light Green Corrections, Saving Corrections, Correction DONE" will appear on the screen during this procedure).

Important: If you have changed some value (values) in the menu item "Calibrate Colours", you will not be able to run this function (message "Can't Access This Function Now" will be displayed). The fixture has to be recalibrated or you have to load default calibration values ( menu item " Load Default Calibrations"). The function should be used if the light output from the fixture differs from another T2 fixtures.

**Calibrate Pan/Tilt EMS** - This menu item allows calibration of the pan/tilt electronic motion stabilizer.

Important: during this calibration any external force must not influence the fixture and the surface at which the fixture stands (or truss if the fixture hangs) has to be without movement, shake, strokes etc.

**Load Default Calibrations** - The item loads default (factory) calibration values.

**LEDS HW version** - The item shows a hardware version of the LED engine.

**Front Lens** - In case that front lens is changed, the corresponding item (PC lens or Fresnel lens) has to be selected in order to get correct calibrated whites.

Fresnel lens installed - select the item Fresnel Lens.

PC lens installed- select the item PC Lens.

**Update software** - The menu item allows you to update software in the fixture.

The following items are required in order to update software:

- PC running Windows or Linux or macOS
- DSU file
- Flash cable RS232/DMX, P/N13050624 (if you want to use a serial port of PC)
- Robe Universal Interface or Robe Universal interface WTX (if you want to use an USB port of PC)

After software updating the fixture will be set to default values.

To update software in the fixture:

1. DSU file is available from Robe web site at [WWW.robe.cz](http://WWW.robe.cz).

File with extension zip is intended for Windows (used and tested from XP to W10 on 32/64bit systems).

File with extension tbz is intended for Linux (used and tested on Debian and Ubuntu 32/64bit).

File with extension dmg is intended for macOS (used and tested on OSX up to Sierra) XQuartz required, install it from <https://www.xquartz.org/>

Save the download file to a folder on your computer.

In case that you use windows, extract files in the zip file (e.g. DSU\_RobinT2Wash\_18100828.zip)

2. Disconnect the fixture from DMX controller.

3. If you use the flash cable RS232/DMX, connect a serial port of your computer with DMX input of the fixture by means of the cable.

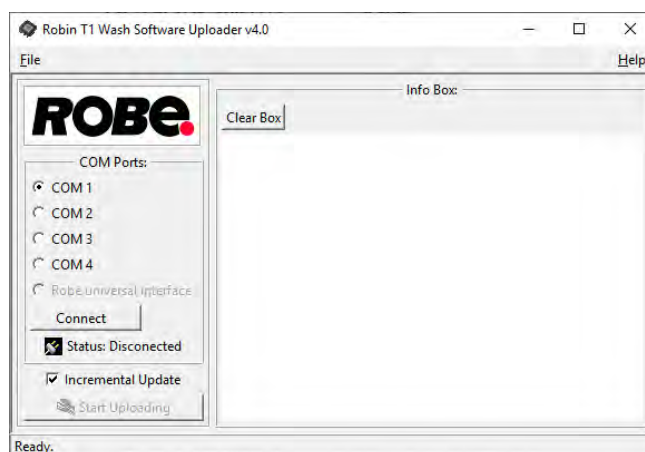
If you use the Robe Universal Interface, connect a USB port of your computer with the Robe Universal Interface by means of the USB cable and DMX input of the fixture with the DMX output of the Robe Universal Interface via a DMX cable.

4. Switch the fixture to the update mode (tab "Service" --> Update Software).

Note: If you do not want to continue in the software update, you have to switch off and on the fixture to escape from the updating mode.

We recommend to cancel all running programs on your computer before starting the software update.

5. Double-click the software uploader file (e.g. DSU\_RobinT2Wash\_18100828.exe) in the extracted files. The Software Uploader program will start running.



6. Select correct "COM " number if you use a Flash cable RS232/DMX or select "Robe Universal Interface " if you use the Robe Universal Interface/Robe Universal Interface WTX and then click on the "Connect" button.

7. If the connection is OK, click the "Start Uploading" button to start software uploading. It will take several minutes to perform software update.

If the option "Incremental Update" is not checked, all processors will be updated (including processors with the same software version).

If you wish to update only processors with new version of software, check the "Incremental Update box".

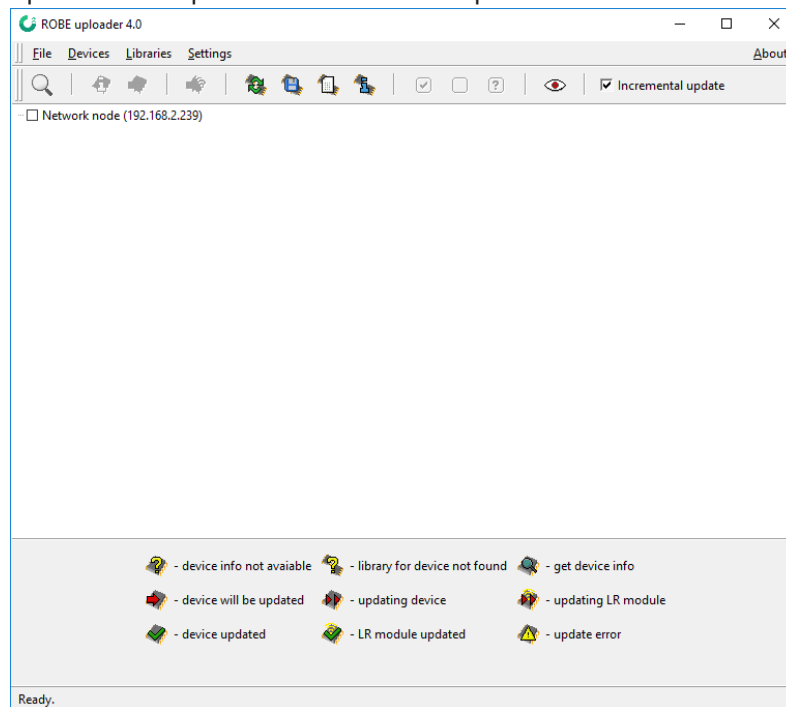
Avoid interrupting the process. Update status is being displayed in the "Info Box" window.

When the update is finished, the line with the text "Fixture is successfully updated" will appear in this window.

In case upload process is interrupted (e.g. power loss), the fixture stays in "Updating mode" and you will have to repeat the software update again.

Another way, how to update software in the fixtures (especially large installation of fixtures) is to use the ROBE Uploader. It is a software for automatized software update of Robe fixtures. It takes advantage of RDM support).

For more information please see <https://www.robe.cz/robe-uploader/>.



## 8. RDM

This fixture supports RDM operation. RDM (Remote Device Management) is a bi-directional communications protocol for use in DMX512 control systems, it is the new open standard for DMX512 device configuration and status monitoring.

The RDM protocol allows data packets to be inserted into a DMX512 data stream without adversely affecting existing non-RDM equipment. By using a special „Start Code,“ and by complying with the timing specifications for DMX512, the RDM protocol allows a console or dedicated RDM controller to send commands to and receive messages from specific moving lights.

RDM allows explicit commands to be sent to a device and responses to be received from it.

The list of commands for Robin T2 Fresnel/T2 PC is the following.

Parameter ID	Discovery command	SET command	GET command
DISC_UNIQUE_BRANCH	*		
DISC_MUTE	*		
DISC_UN_MUTE	*		
DEVICE_INFO			*
SUPPORTED_PARAMETERS			*
SOFTWARE_VERSION_LABEL			*
DMX_START_ADDRESS		*	*
IDENTIFY_DEVICE		*	*
DEVICE_MODEL_DESCRIPTION			*
MANUFACTURER_LABEL			*
DEVICE_LABEL		*	*
SENSOR_DEFINITION			*
SENSOR_VALUE			*
DISPLAY_INVERT		*	*
DISPLAY_LEVEL		*	*
PAN_INVERT		*	*

Parameter ID	Discovery command	SET command	GET command
TILT_INVERT		*	*
DEVICE_RESET		*	
DMX_PERSONALITY		*	*
DMX_PERSONALITY_DESCRIPTION			*
STATUS_MESSAGES			*
STATUS_ID_DESCRIPTION			*

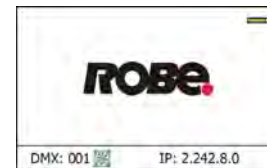
RDM model ID for the Robin T2 Fresnel /Robin T2 PC is 0x0105.

## 9. Error and information messages

### Information icons

#### - Air Filters Cleaning

This icon signals that cleaning period of the air filters has elapsed and you have to clear air filters and reset the menu item "Elapsed Time".



### Errors

Error in the fixture is signalled by the yellow warning icon at the bottom line of the screen:



Touch the warning icon or press the [ESCAPE] button to display error messages.

List of error and information messages:

#### **Tilt Error 1 (Tilt Error 2)**

This message will appear after the reset of the fixture if the head's magnetic-indexing circuit malfunctions (sensor failed or magnet is missing) or the stepping motor is defective or its driving IC on the PCB. The head is not located in the default position after the reset.

#### **Pan Error 1 (Pan Error 2)**

This message will appear after the reset of the fixture if the yoke's magnetic-indexing circuit malfunctions (sensor failed or magnet is missing) or the stepping motor is defective or its driving IC on the PCB. The yoke is not located in the default position after the reset of the fixture.

#### **Frost 1 Error 1 (Frost 1 Error 2)**

The messages will appear after the reset of the light frost module if this module is not located in the default position.

#### **Frost 2 Error 1 (Frost 2 Error 2)**

The messages will appear after the reset of the medium frost module if this module is not located in the default position.

#### **Zoom Error 1 (Zoom Error 2)**

The messages will appear after the reset of the zoom module if the zoom lens is not located in the default position.

#### **Focus Error 1 (Focus Error 2)**

The messages will appear after the reset of the focus module if the focus lens is not located in the default.

**Barndoors Rot. Error 1 (Barndoors Rot. Error 2 )**

The messages will appear after the reset of the barndoors module if this module is not located in the default position.

**Barndoor 1 Error 1 (Barndoor 1 Error 2 )**

The messages will appear after the reset of the barndoors module if the barndoor 1 is not located in the default position.

**Barndoor 2 Error 1 (Barndoor 2 Error 2 )**

The messages will appear after the reset of the barndoors module if the barndoor 2 is not located in the default position.

**Barndoor 3 Error 1 (Barndoor 3 Error 2 )**

The messages will appear after the reset of the barndoors module if the barndoor 3 is not located in the default position.

**Barndoor 4 Error 1 (Barndoor 4 Error 2 )**

The messages will appear after the reset of the barndoors module if the barndoor 4 is not located in the default position.

**EEprom Error**

Hardware error of the EEprom.

**Recharge The battery**

The battery on the display board needs to be charged. Let the fixture on for cca 6 hrs.

**Battery Faulty. Replace it.**

The battery on the display board is exhausted and should be replaced immediately.

**Pan/Tilt EMS Cal. Error**

The EMS system is not calibrated.

**Pan/Tilt EMS Error**

Control electronics cannot communicate with the EMS system.

**Internal Error 1**

Communication error between PCBs (error or noise was detected on communication wires)

**Internal Error 2**

Communication error (some PCB has failed or is disconnected (this PCB will show as N/A in menu --> Information --> Software versions) or error/noise was detected on communication wires)

**Clean Air Filters**

The message informs you that the item "Elapsed Time" in the "Fixture Information" menu is at 0 value. Clean air filters and reset this counter.

**Blue 1 Short Error/ Blue 2 Short Error/ Blue 3 Short Error/ Blue 4 Short Error**

Some blue LEDs in the light source have short circuit or are disconnected.

**Green 1 Short Error/ Green 2 Short Error**

Some green LEDs in the light source have short circuit or are disconnected.

**Light Green 1 Short Error/ Light Green 2 Short Error/ Light Green 3 Short Error/ Light Green 4 Short Error**

Some light green LEDs in the light source have short circuit or are disconnected.

**Amber 1 Short Error/ Amber 2 Short Error/ Amber 3 Short Error/ Amber 4 Short Error**

Some amber LEDs in the light source have short circuit or are disconnected.

**Red 1 Short Error/ Red 2 Short Error/ Red 3 Short Error/ Red 4 Short Error**

Some red LEDs in the light source have short circuit or are disconnected.

**Base Fan 1 Bad/Base Fan 2 Bad**

The fan 1 (fan 2) in the fixture base is disconnected from its control PCB or is faulty and should be replaced. A light output from the fixture is closed.

**Suction LED Fan 1 Bad/ Suction LED Fan 2 Bad/Suction Suction LED Fan 3 Bad**

The suction fan 1 (fan 2, fan 3) at the LED engine is disconnected from its control PCB or is faulty and should be replaced.

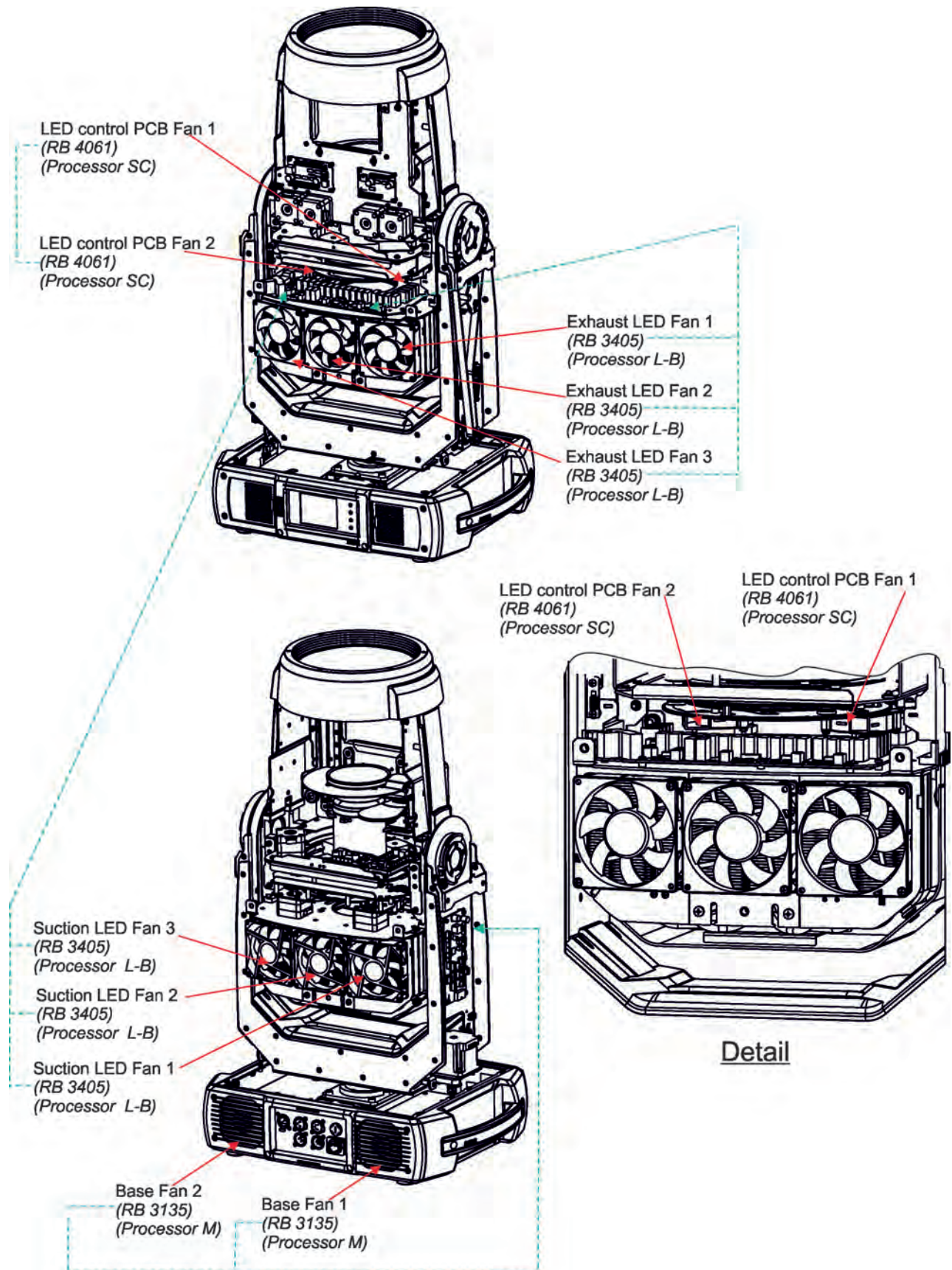
**Exhaust LED Fan 1 Bad/ Exhaust LED Fan 2 Bad/ Exhaust LED Fan 3 Bad**

The exhaust fan 1 (fan 2, fan 3) at the LED engine is disconnected from its control PCB or is faulty and should be replaced.

**LED control PCB Fan 1 Bad/ LED control PCB Fan 2 Bad**

The LED control PCB fan 1 (fan 2) which cools LED control PCB in the fixture head is disconnected from its control PCB or is faulty and should be replaced. A light output from the fixture is closed.

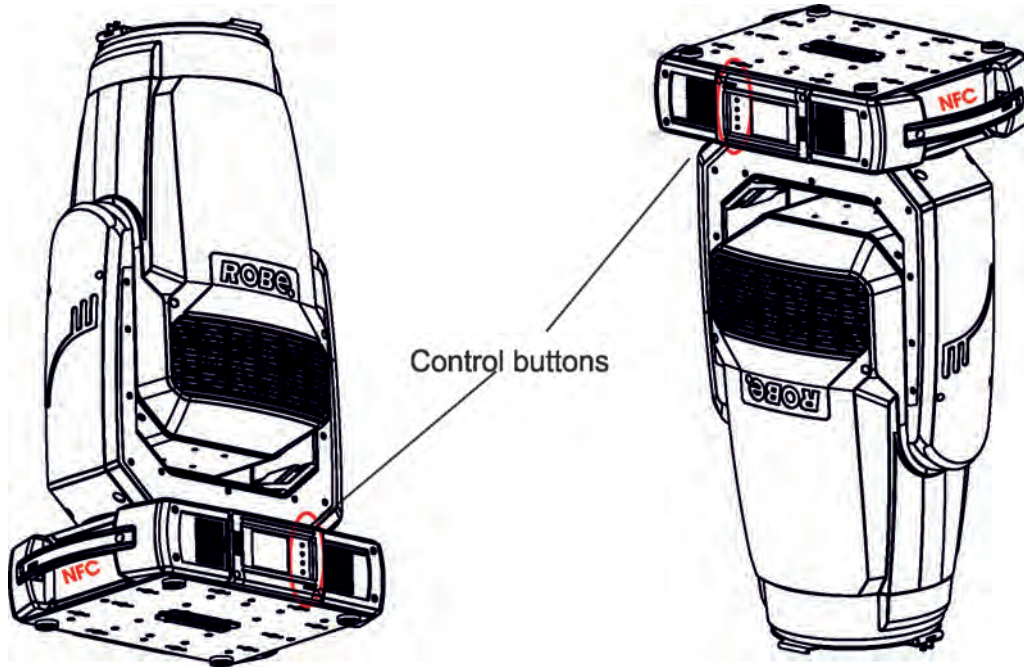
Positions of fans (and their control PCBs):



## 10. NFC

The fixture supports NFC. Using the mobile phone application ROBE COM you can read and set the Robin T2 PC/Robin T2 Fresnel parameters (DMX address, IP address...etc.), get information about temperatures, operation hours, RDM identification etc.

The NFC point is situated on the side of the fixture base:



Download and install the ROBE COM from Google Play (for Android 5.0 and higher) or App Store (for iOS 12.0 and higher) to your mobile phone. Your mobile phone has to support NFC (Near-Field Communication).

Hold the mobile phone on the side of the fixture base, if NFC connection is OK, discovered fixture will appear on the screen, after touching the fixture name the following the following menu items will appear:

- DMX/RDM settings
- Ethernet settings
- Blackout settings
- Colour settings
- Display settings
- Standalone settings
- Pan/Tilt settings
- Other settings
- Software versions
- Device hours
- Device temperatures

Touch desired menu item to enter its submenu.

# 11. Technical Specifications

## Electrical

Power supply: electronic auto-ranging  
Input voltage range: 100-240V, 50-60Hz  
Fuse: T 15 A  
Max. power consumption: 1150W (power factor: 0.97)

## Optic

Light source: MSL™ 850 W Multi-Spectral LED engine (Red,Green,Blue,Amber,Light Green)  
CMY/RGB colour mixing  
CRI: Adjustable from 80 to 90+ (8000K=91, 5600K=92, 4200K=94, 3200K=95, 2700K=96)  
LED life expectancy: min. 40.000 hours

## Virtual colour wheel

67 preset colours  
70 preset multicolours  
10 user colours  
Rainbow effect with variable speed

## Colour temperature functions

White light: Variable CCT 2700K – 8000K  
Tungsten lamp effect at whites 2700K- 4200K

## Frost filters

2 separate, variable frost filters ( light (1°) and medium (5°))  
Both filters are replaceable

## Scrim

Scrim module rotatable by 360°

## Internal barndoors

Four individually controllable blades  
Rotation 0°-180° (all blades together)

## Zoom

Linear motorized zoom  
6.6°-62° (PC lens)  
7.7°- 62°(Fresnel lens)

## Strobe

Strobe effect with variable speed (0.3 - 20Hz)

## Dimmer

Smooth dimmer from 0 - 100 %

## Control

Graphic touch screen for fixture setting and addressing  
Gravitation sensor for auto screen positioning  
Battery backup of the touch screen  
Readout fixture and LEDs usage, receiving DMX values, temperatures, etc  
Built-in analyzer for easy fault finding, error messages  
Built-in demo sequences  
Silent fans cooling,  
Stand-alone operation  
3 user editable programs, each up to 100 steps  
Supported protocols: USITT DMX 512, RDM, ArtNet, MANet, MANet2, sACN

Support of RDM (Remote Device Management)  
3 DMX modes (35, 24, 39 control channels)  
WEB server

#### **Wireless DMX/RDM module**

Compliance with USITT DMX-512 (1986 & 1990) and 512-A  
Full DMX fidelity and frame integrity  
Auto sensing of DMX frame rate and frame size  
<5ms DMX latency  
Operational frequency range of 2402-2480 MHz  
Producer: LumenRadio

#### **Pan/Tilt**

Pan movement range 540°  
Tilt movement range 270°  
16 bit movement resolution  
Pan/Tilt electronic motion stabilizer  
Automatic Pan/Tilt position correction  
Remotely controllable speed of pan/tilt movement for easy programming  
Pan/tilt-lock mechanism

#### **Connection**

DMX data in/out: 2x Locking 3-pin XLR, 2x Locking 5-pin XLR  
2x Locking 5-pin XLR (T2 Profile FS only)  
AC power input: Chassis connector Neutrik PowerCon TRUE 1,  
Ethernet In/Out: 2 x RJ 45

#### **Rigging**

Mounting points: 2 pairs of 1/4-turn locking points  
Mounting horizontally or vertically via 2 Omega brackets

#### **Temperatures**

Maximum/Minimum ambient operating temperature : +45°C/-5°C  
Maximum housing temperature : 70° C

#### **Minimum distances**

Min. distance from flammable surfaces: 0.5 m  
Min. distance to lighted object: 3 m

#### **Total heat dissipation**

3924 BTU/hr (calculated)

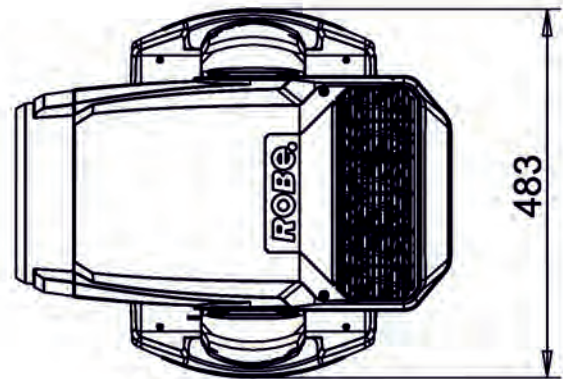
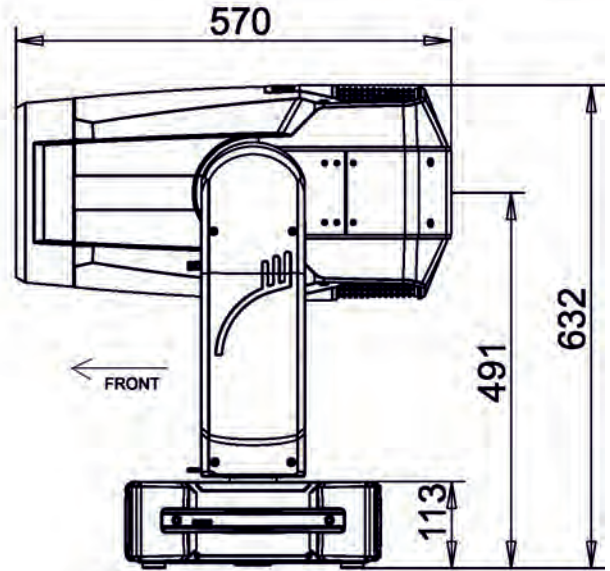
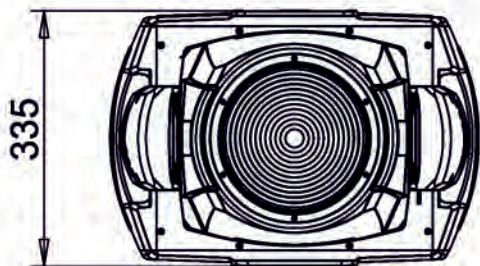
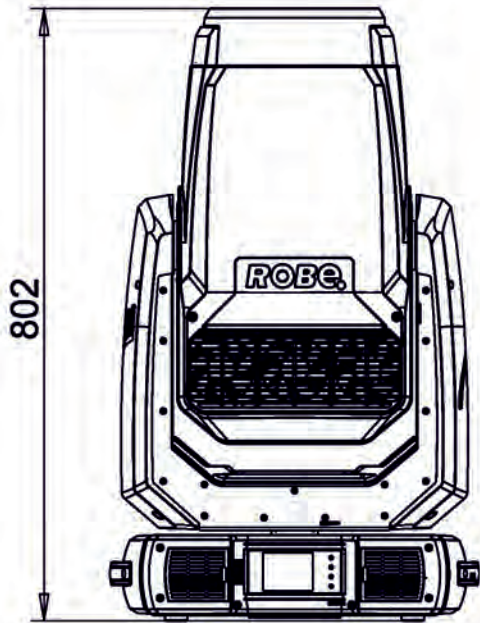
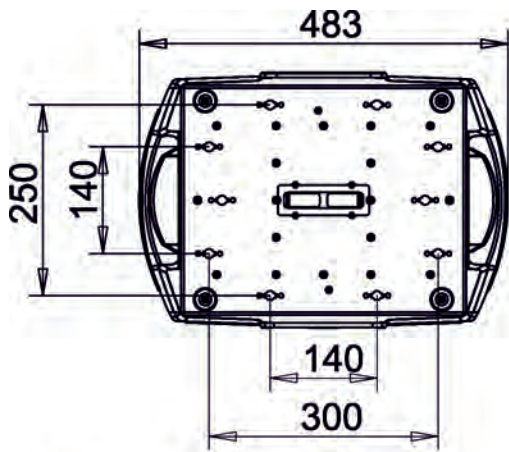
#### **Protection factor**

IP20

#### **Weight**

36.2 kg (T2 PC, T2Fresnel)

Dimensions (mm)



## Accessories

- 1 x Omega adaptor CL-regular 2 pcs in box (P/N 10980033)
- 1 x Power cable including powerCON TRUE1
- 1 x Frame adaptor T2 Profile (P/N 199016721) installed on the fixture head

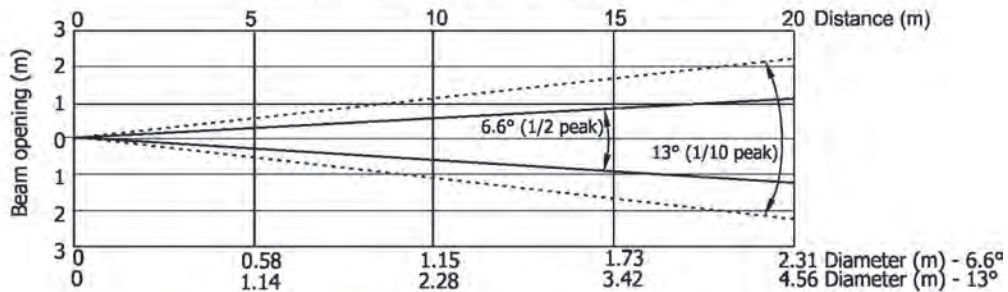
## Optional accessories

- Gel Frame for ROBIN T2 (P/N 10980561)
- Doughty Trigger Clamp (P/N 17030386)
- Safety wire 35 kg (P/N 99011963)
- Upgrade kit CRMX Universal 260 (P/N99030100)
- Module of Fresnel Lens for T2 PC (P/N 10980610)
- Module of PC Lens for T2 Fresnel (P/N 10980611)

## Robin T2 PC photometric diagrams

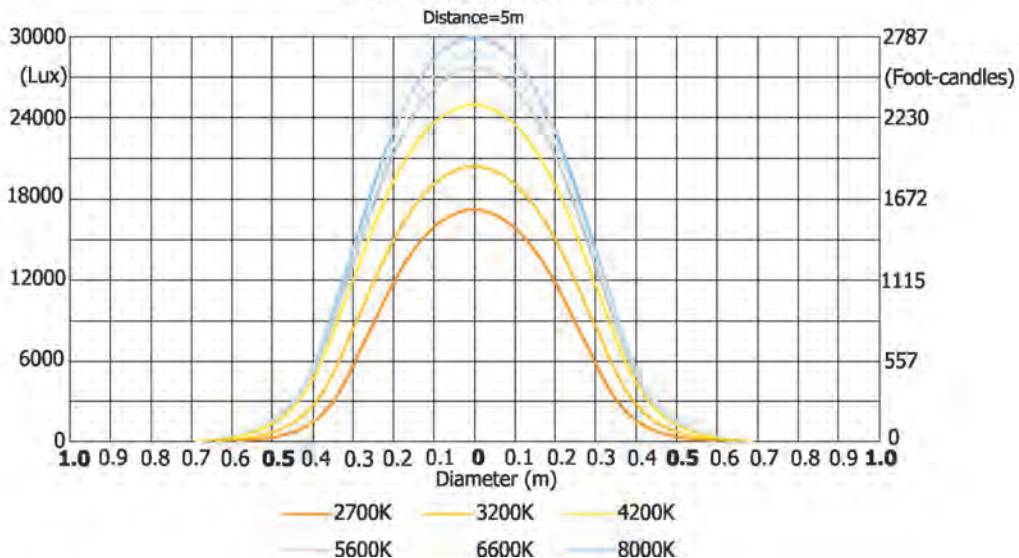
Min. zoom, Standard CRI (80)

Total Output: 11212 lumens @ 8000K

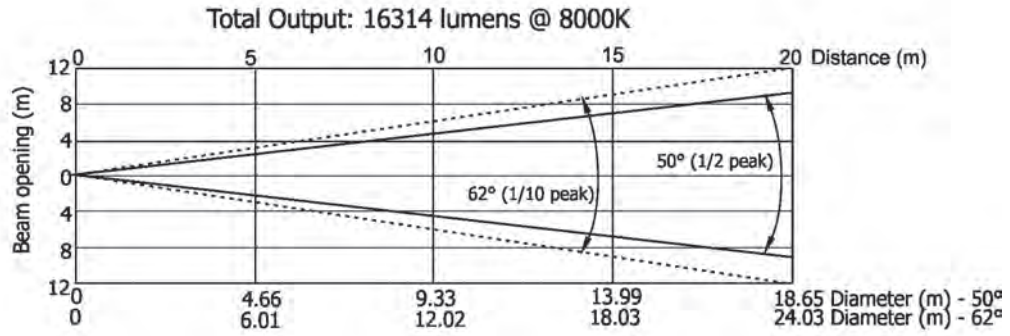


Distance (m)	5	8	10	12	14	16	18	20	
White 2700K	17868/1660	6980/648	4467/415	3102/288	2279/212	1745/162	1378/128	1117/104	Intensity (center) Lux/Footcandles
White 3200K	20408/1896	7972/741	5102/474	3543/329	2603/242	1993/185	1575/146	1275/119	
White 4200K	24630/2288	9621/894	6157/572	4276/397	3142/293	2405/224	1900/177	1540/143	
White 5600K	28038/2605	10952/1018	7009/651	4867/452	3576/332	2738/254	2163/201	1752/163	
White 6600K	29652/2755	11582/1076	7413/689	5148/478	3782/351	2896/269	2288/213	1853/172	
White 8000K	30052/2792	11739/1091	7513/698	5217/485	3833/356	2934/273	2318/215	1878/175	

## Illuminance distribution

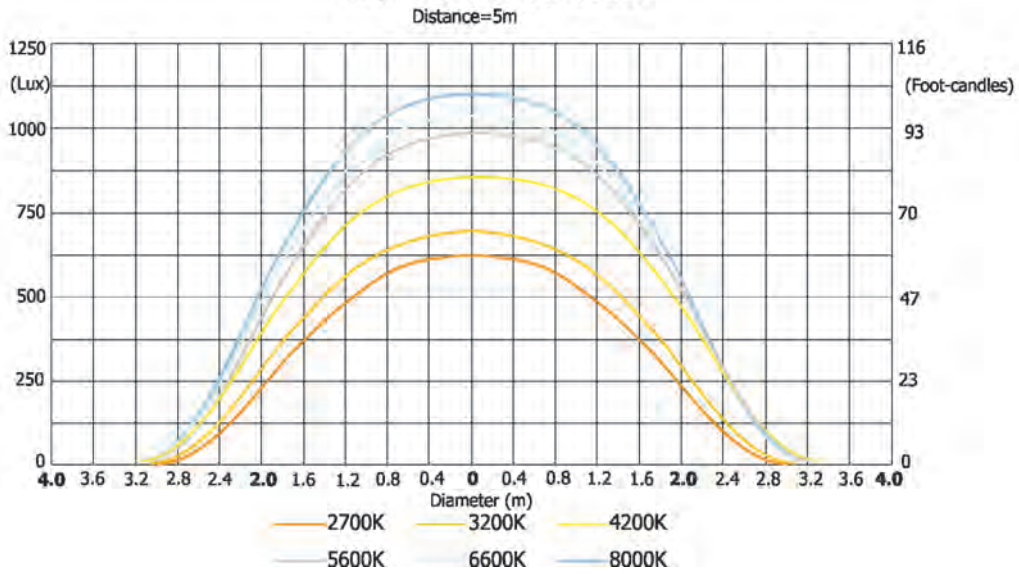


Max. zoom, Standard CRI (80)



Distance (m)	5	8	10	12	14	16	18	20	
White 2700K	626/58	245/23	157/15	109/10	80/7.4	61/5.7	48/4.5	39/3.6	Intensity (center) Lux/Footcandles
White 3200K	715/66	279/26	179/17	124/12	91/8.5	70/6.5	55/5.1	44/4.2	
White 4200K	863/80	337/31	216/20	150/14	110/10	84/7.8	67/6.2	54/5.0	
White 5600K	982/91	384/36	246/23	170/16	125/12	96/9	76/7.0	61/5.7	
White 6600K	1039/97	406/38	260/24	180/17	133/12.3	102/9.4	80/7.4	65/6	
White 8000K	1123/104	439/41	281/26	195/18	143/13	110/10.2	87/8.1	70/6.5	

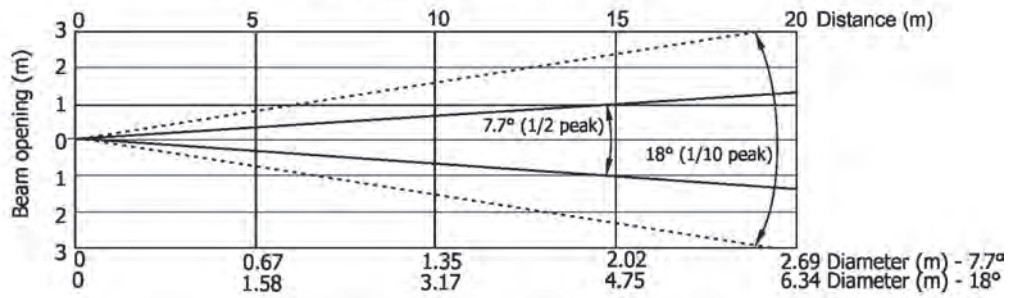
Illuminance distribution



Robin T2 Fresnel photometric diagrams

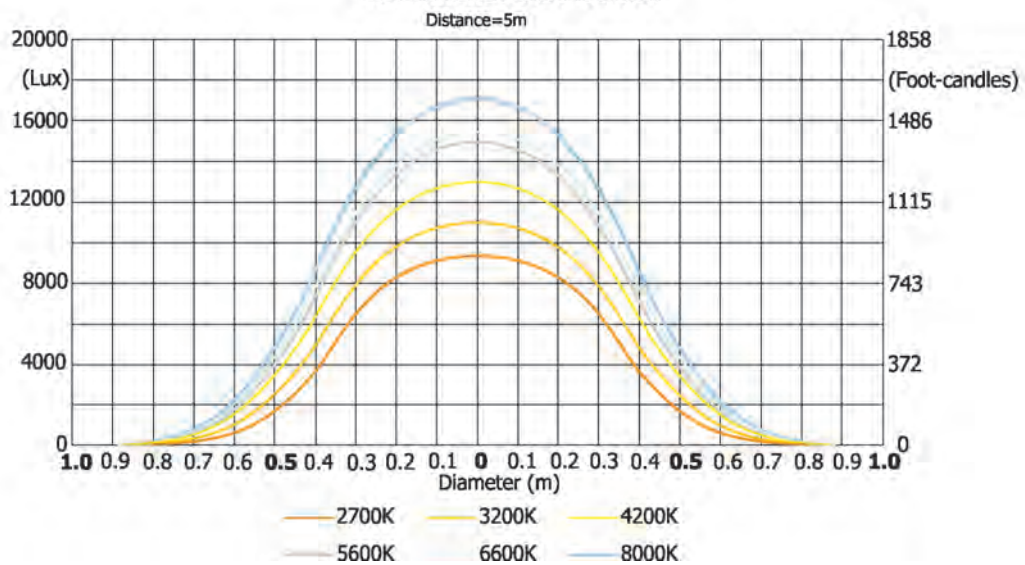
Min. zoom, Standard CRI (80)

Total Output: 10583 lumens @ 8000K

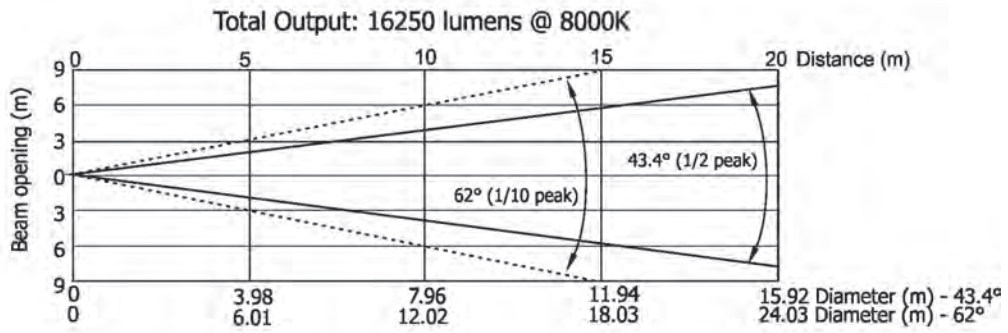


Distance (m)	5	8	10	12	14	16	18	20	
White 2700K	9350/869	3652/339	2338/217	1623/151	1193/111	913/85	722/67	584/54	Intensity (center) Lux/Footcandles
White 3200K	10755/999	4201/390	2688/250	1867/174	1372/127	1050/98	830/77	672/62	
White 4200K	13026/1210	5088/473	3256/303	2262/210	1661/154	1272/118	1005/93	814/76	
White 5600K	14875/1382	5810/540	3718/346	2582/240	1897/176	1452/135	1148/107	930/86	
White 6600K	15744/1462	6150/541	3936/366	2733/254	2008/187	1538/143	1214/113	984/91	
White 8000K	17205/1598	6720/624	4301/400	2987/277	2194/204	1680/156	1327/123	1075/100	

Illuminance distribution



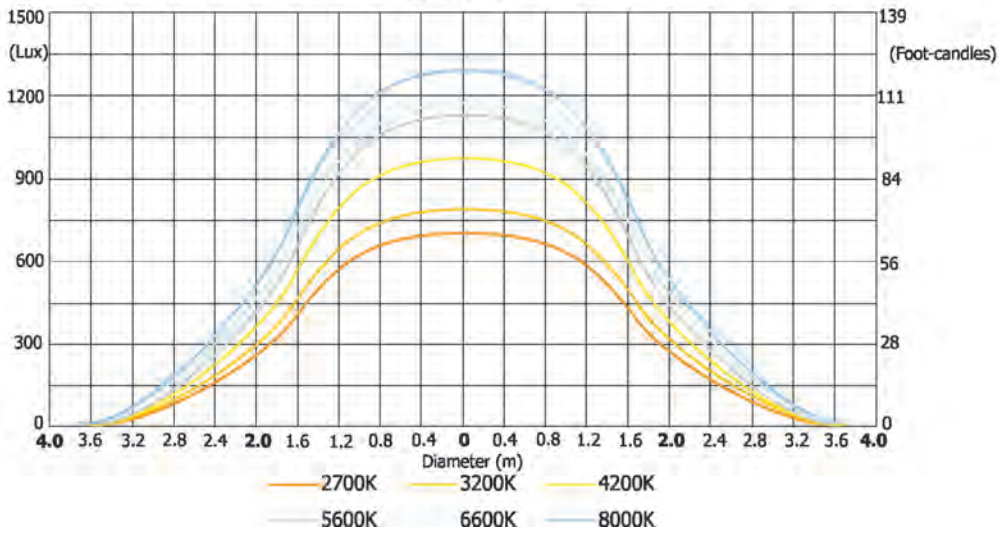
**Max. zoom, Standard CRI (80)**



Distance (m)	5	8	10	12	14	16	18	20	
White 2700K	698/65	272/25	175/16	121/11	89/8.3	68/6.3	54/5.0	44/4.1	Intensity (center) Lux/Footcandles
White 3200K	803/75	313/29	200/19	139/13	102/9.5	78/7.3	62/5.8	50/4.7	
White 4200K	973/90	380/35	243/23	169/16	124/11.5	95/8.8	75/7.0	61/5.6	
White 5600K	1111/103	434/40	277/26	193/18	141/13	109/10	86/8.0	69/6.5	
White 6600K	1176/109	459/43	294/27	204/19	150/14	115/11	90/8.4	74/6.8	
White 8000K	1285/119	502/47	321/30	223/21	164/15	125/12	99/9.2	80/7.5	

**Illuminance distribution**

Distance=5m



## 12. Maintenance and cleaning

It is absolutely essential that the fixture is kept clean and that dust, dirt and smoke-fluid residues must not build up on or within the fixture. Otherwise, the fixture's light-output will be significantly reduced. Regular cleaning will not only ensure the maximum light-output, but will also allow the fixture to function reliably throughout its life. A soft lint-free cloth moistened with any good glass cleaning fluid is recommended, under no circumstances should alcohol or solvents be used!

**DANGER !**  
**Disconnect from the mains before starting any  
maintenance work**

The front objective lens will require weekly cleaning as smoke-fluid tends to building up residues, reducing the light-output very quickly. The cooling-fans should be cleaned monthly.

The interior of the fixture should be cleaned at least annually using a vacuum-cleaner or an air-jet.

Gobo wheels and the internal lenses should be cleaned monthly.

Remove dust and dirt from the fans and cooling vents using a soft brush and vacuum-cleaner.

**Important! Check the air filters periodically and clean before they become  
clogged!**

Clean the air filters placed in the fixture base. Use a vacuum cleaner, compressed air or you can wash them and put back dry.

After replacing the air filters, reset the elapsed time counter in the menu "Information"  
(Information--->Air Filters---> Elapsed Time).

### Replacing the fuse.

Before replacing the fuse, unplug mains lead.

1. Remove the fuse holder on the rear panel of the base with a fitting screwdriver from the housing (anti-clockwise).
2. Remove the old fuse from the fuse holder.
3. Install the new fuse in the fuse holder (only the same type and rating).
4. Replace the fuseholder in the housing and fix it.

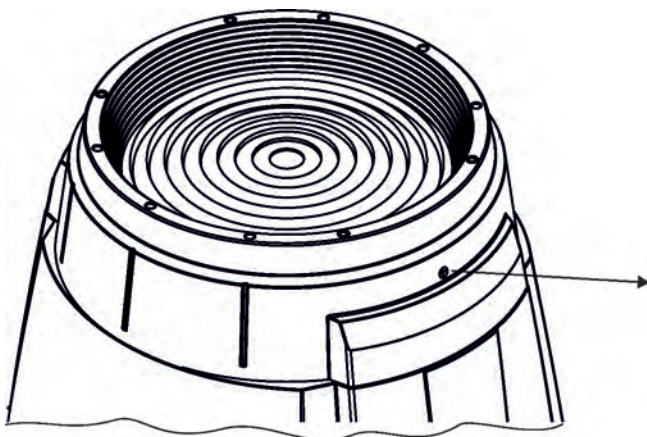
### Checking plastic parts of the fixture.

The plastic parts of the fixture should be checked for damages and beginning cracks at least every two months. In addition, the plastic part of the front lens has to be checked mechanically (by means of movement by the plastic part) if it is firmly fastened to the fixture. If hint of a crack is found on some plastic part, do not use the fixture until the damaged part will be replaced.

Cracks or another damages of the plastic parts can be caused by the fixture transportation or manipulation and also ageing process may influence plastic materials.

This checking is necessary for both fixed installations and preparing fixtures for renting. Any free moving parts inside of the fixture head, cracked plastic or any plastic part of front lens not sitting properly in place need to be immediately replaced.

Example of a crack on the plastic cover (for illustrative purpose).



## 12.1 Disposing of the product

To preserve the environment please dispose or recycle this product at the end of its life according to the local regulations and codes.

## 13. ChangeLog

This section summarizes changes in the user manual.

Version of the manual	Date of issue	Description of changes
1.1	17/05/2021	Photometric diagrams added
1.2	07/06/2021	NFC information added

June 7, 2021

Copyright © 2020 -2021 Robe Lighting - All rights reserved

All Specifications subject to change without notice

Made in CZECH REPUBLIC by ROBE LIGHTING s.r.o. Palackeho 416/20 CZ 75701 Valasske Mezirici

DMX protocol

**Robin T2 Fresnel/Robin T2 PC - DMX protocol**

Version: 1.0 Mode 1-CMY/RGB, Mode 2 -Reduced CMY/RGB, Mode 3-Five colours (R,G,B,A,Light Green)

**Quick overview of default DMX values for each channel**

Mode/channel			Default DMX Value	Function
1	2	3		
1	1	1	128	Pan
2	2	2	0	Pan Fine
3	3	3	128	Tilt
4	4	4	0	Tilt fine
5	5	5	0	Pan/Tilt speed , Pan/Tilt time
6	6	6	0	Power/Special functions
7	*	7	10	LED frequency selection
8	*	8	128	LED frequency fine adjusting
9	7	9	0	Colour functions
10	8	10	0	CRI selection
11	*	11	0	Virtual colour wheel
12	9	*	0/255	Cyan/Red (8 bit) (0=default for CMY mode, 255=default for RGB mode)
13	*	*	0/255	Cyan/Red (16 bit) (0=default for CMY mode, 255=default for RGB mode)
14	10	*	0/255	Magenta/Green (8 bit) (0=default for CMY mode, 255=default for RGB mode)
15	*	*	0/255	Magenta/Green (16 bit) (0=default for CMY mode, 255=default for RGB mode)
16	11	*	0/255	Yellow/Blue (8 bit) (0=default for CMY mode, 255=default for RGB mode)
17	*	*	0/255	Yellow/Blue (16 bit) (0=default for CMY mode, 255=default for RGB mode)
*	*	12	255	Red (8 bit)
*	*	13	255	Red (16bit)
*	*	14	255	Green (8 bit)
*	*	15	255	Green (16bit)
*	*	16	255	Blue (8 bit)
*	*	17	255	Blue (16bit)
*	*	18	255	Amber (8 bit)
*	*	19	255	Amber (16bit)
*	*	20	255	Light green (8 bit)
*	*	21	255	Light green (16bit)
18	12	22	110	Colour temperature correction (CTC)
19	*	23	128	Green correction
20	*	24	0	Colour mix control
21	*	25	0	Barndoors/Zoom/Frost time
22	13	26	0	Scrim positioning
23	14	27	128	Scrim indexing
24	15	28	0	Frost
25	16	29	128	Zoom
26	*	30	0	Zoom - fine
27	17	31	128	Edge colour correction
28	18	32	128	Barndoors rotation
29	19	33	0	Barndoor 1-movement
30	20	34	0	Barndoor 2-movement
31	21	35	0	Barndoor 3-movement
32	22	36	0	Barndoor 4-movement

DMX protocol

Mode/channel			Default DMX Value	Function	
1	2	3			
33	23	37	32	Shutter/ strobe	
34	24	38	0	Dimmer intensity	
35	*	39	0	Dimmer intensity - fine	
Mode/channel			DMX Value	Function	Type of control
1	2	3			
1	1	1		<b>Pan</b>	
			0 - 255	Pan movement by 540° (128=default)	proportional
2	2	2		<b>Pan Fine</b>	
			0 - 255	Fine control of pan movement (0=default)	proportional
3	3	3		<b>Tilt</b>	
			0 - 255	Tilt movement by 270° (128=default)	proportional
4	4	4		<b>Tilt fine</b>	
			0 - 255	Fine control of tilt movement (0=default)	proportional
5	5	5		<b>Pan/Tilt speed , Pan/Tilt time</b>	
			0	Standard mode (0=default)	step
			1	Max. Speed Mode	step
				<b>Pan/Tilt speed mode</b>	
			2 - 255	Speed from max. to min.	proportional
				<b>Pan/Tilt time mode</b>	
			2 - 255	Time from 0.2 sec. to 25.5 sec.	proportional
6	6	6		<b>Power/Special functions</b>	
				Factory display menu setting: DMX Input-Wired ,Graphic display-On, Pan/tilt Mode-Speed,Blackout while pan/tilt moving-Off, Fans mode-Auto	
			0 -9	Reserved (0=default)	
				<i>To activate following functions, stop in DMX value for at least 3 s and shutter must be closed at least 3 sec. („Shutter,Strobe” channel 33/23/37 must be at range: 0-31 DMX). Corresponding menu items are temporarily overridden.</i>	
			10-14	DMX input: Wired DMX *	step
			15-19	DMX input: Wireless DMX *	step
				* function is active only 10 seconds after switching the fixture on	
			20-24	Graphic display: On	step
			25-29	Graphic display: Off	step
			30-39	Reserved	
			40-44	Pan/Tilt mode: Speed	step
			45-49	Pan/Tilt mode: Time	step
			50-54	Blackout while pan/tilt moving: On	step
			55-59	Blackout while pan/tilt moving: Off	step
			60-69	Reserved	
			70-74	Fans mode: Auto	step
			75-79	Fans mode: High	step
			80-84	Quiet mode: Fans On at blackout	step
			85-89	Quiet mode: Fans Off at blackout	step
			90-119	Reserved	
			120-124	Parking position On	step
			125-129	Parking position Off	step

DMX protocol

Mode/channel			DMX Value	Function	Type of control
1	2	3			
				<i>To activate following functions, stop in DMX value for at least 3 seconds.</i>	
			130 - 139	Fixture reset (except pan/tilt)	
			140 - 149	Pan/Tilt reset	step
			150 - 179	Reserved	
			180 - 189	Zoom/focus/frost reset	step
			190 - 199	Barndoors/scrim reset	step
			200 - 209	Total fixture reset	step
			210-239	Reserved	
			240	Disabled "Quiet mode"	step
			241 - 255	"Quiet mode" - fan noise control from min. to max.	proportional
<b>7</b>	<b>*</b>	<b>7</b>		<b>LED frequency selection</b>	
				Factory display menu setting: 600Hz	
				<i>Select PWM output frequency of LEDs. Selected PWM frequency can be fine adjusted in 127 steps up/down around selected PWM frequency on the channel below. Corresponding menu item (Frequency Setup) is temporarily overridden.</i>	
			0-4	PWM frequency from Display menu (fixture utilizes PWM frequency set in the display menu item Frequency Setup).	step
			5-9	300 Hz	step
			10-14	600 Hz (10=default)	step
			15-19	1200 Hz	step
			20-24	2400 Hz	step
			25-255	Reserved (fixture utilizes PWM frequency set in the display menu item Frequency Setup).	
<b>8</b>	<b>*</b>	<b>8</b>		<b>LED frequency fine adjusting</b>	
				Factory display menu setting: 600Hz	
				<i>Select desired PWM output frequency of LEDs on the channel above.</i>	
			0-1	Selected LED Frequency	step
			2	LED Frequency (step -126)	step
			3	LED Frequency (step -125)	step
			4	LED Frequency (step -124)	step
			:		
			125	LED Frequency (step -3)	step
			126	LED Frequency (step -2)	step
			127	LED Frequency (step -1)	step
			128	Selected LED Frequency (128=default)	step
			129	LED Frequency (step +1)	step
			130	LED Frequency (step +2)	step
			131	LED Frequency (step +3)	step
			:		
			252	LED Frequency (step +124)	step
			253	LED Frequency (step +125)	step
			254	LED Frequency (step +126)	step
			255	Selected LED Frequency	step
<b>9</b>	<b>7</b>	<b>9</b>		<b>Colour functions</b>	
				Factory display menu setting: Colour mixing mode-CMY, Dimmer Curve-Square Law, Tungsten effect simulation-Off, Chromatic white-Off, Light output stability-Off, Uniformity-Off	

DMX protocol

Mode/channel			DMX Value	Function	Type of control
1	2	3			
			0	No function (0=default) <i>To activate following functions, stop in DMX value for at least 3 seconds. Corresponding menu items are temporarily overridden</i>	step
			1-39	Reserved	
			40-44	Colour mixing mode: CMY (DMX Mode 1 and 2 only)	step
			45-49	Colour mixing mode: RGB (DMX mode 1 and 2), RGBAL (DMX mode 3 only)	step
			50-54	Dimmer curve: Square law	step
			55-59	Dimmer curve: Linear	step
			60-79	Raw DMX	proportional
				<i>Tungsten effect simulation for whites 2700K-4200K only:</i>	
			80-84	Tungsten effect simulation (750W/80V): On	step
			85-89	Tungsten effect simulation (1000W/240V): On	step
			90-94	Tungsten effect simulation (1200W/240V): On	step
			95-99	Tungsten effect simulation (2000W/230V): On	step
			100-104	Tungsten effect simulation (2500W/230V): On	step
			105-109	Tungsten effect simulation: Off	step
			110-114	Save user colour (see user manual, chapter 5.1 Colour influencing functions)	step
			115-119	Chromatic white: On	step
			120-124	Chromatic white: Off	step
			125-129	Light output stability On	step
			130-134	Light output stability Off	step
			135-139	Uniformity On	step
			140-144	Uniformity Off	step
			145-255	Reserved	
<b>10</b>	<b>8</b>	<b>10</b>		<b>CRI selection</b>	
			0-255	CRI selection from Standard (80) to High (90+) (0=default)	proportional
<b>11</b>	<b>*</b>	<b>11</b>		<b>Virtual colour wheel</b>	
			0	No function (0=default)	step
			1-2	Filter 4 (Medium Bastard Amber)	step
			3-4	Filter 10 (Medium Yellow)	step
			5-6	Filter 19 (Fire)	step
			7-8	Filter 26 (Bright Red)	step
			9-10	Filter 58 (Lavender)	step
			11-12	Filter 68 (Sky Blue)	step
			13-14	Filter 71 (Tokyo Blue)	step
			15-16	Filter 79 (Just Blue)	step
			17-18	Filter 88 (Lime Green)	step
			19-20	Filter 90 (Dark Yellow Green)	step
			21-22	Filter 100 (Spring Yellow)	step
			23-24	Filter 101 (Yellow)	step
			25-26	Filter 102 (Light Amber)	step
			27-28	Filter 103 (Straw)	step
			29-30	Filter 104 (Deep Amber)	step
			31-32	Filter 105 (Orange)	step
			33-34	Filter 106 (Primary Red)	step
			35-36	Filter 111 (Dark Pink)	step
			37-38	Filter 115 (Peacock Blue)	step
			39-40	Filter 116 (Medium Blue-Green)	step

DMX protocol

Mode/channel			DMX Value	Function	Type of control
1	2	3			
			41-42	Filter 117 (Steel Blue)	step
			43-44	Filter 118 (Light Blue)	step
			45-46	Filter 119 (Dark Blue)	step
			47-48	Filter 120 (Deep Blue)	step
			49-50	Filter 121 (Filter Green)	step
			51-52	Filter 128 (Bright Pink)	step
			53-54	Filter 131 (Marine Blue)	step
			55-56	Filter 132 (Medium Blue)	step
			57-58	Filter 134 (Golden Amber)	step
			59-60	Filter 135 (Deep Golden Amber)	step
			61-62	Filter 136 (Pale Lavender)	step
			63-64	Filter 137 (Special Lavender)	step
			65-66	Filter 138 (Pale Green)	step
			67-68	Filter 139 (Primary Green)	step
			69-70	Filter 141 (Bright Blue)	step
			71-72	Filter 147 (Apricot)	step
			73-74	Filter 148 (Bright Rose)	step
			75-76	Filter 152 (Pale Gold)	step
			77-78	Filter 154 (Pale Rose)	step
			79-80	Filter 157 (Pink)	step
			81-82	Filter 158 (Deep Orange)	step
			83-84	Filter 162 (Bastard Amber)	step
			85-86	Filter 164 (Flame Red)	step
			87-88	Filter 165 (Daylight Blue)	step
			89-90	Filter 169 (Lilac Tint)	step
			91-92	Filter 170 (Deep Lavender)	step
			93-94	Filter 172 (Lagoon Blue)	step
			95-96	Filter 179 (Chrome Orange)	step
			97-98	Filter 180 (Dark Lavender)	step
			99-100	Filter 181 (Congo Blue)	step
			101-102	Filter 197 (Alice Blue)	step
			103-104	Filter 201 (Full C.T. Blue)	step
			105-106	Filter 202 (Half C.T. Blue)	step
			107-108	Filter 203 (Quarter C.T. Blue)	step
			109-110	Filter 204 (Full C.T. Orange)	step
			111-112	Filter 205 (Half C.T. Orange)	step
			113-114	Filter 206 (Quarter C.T. Orange)	step
			115-116	Filter 247 (Filter Minus Green)	step
			117-118	Filter 248 (Half Minus Green)	step
			119-120	Filter 281 (Three Quarter C.T. Blue)	step
			121-122	Filter 285 (Three Quarter C.T. Orange)	step
			123-124	Filter 352 (Glacier Blue)	step
			125-126	Filter 353 (Lighter Blue)	step
			127-128	Filter 715 (Cabana Blue)	step
			129-130	Filter 778 (Millennium Gold)	step
			131-132	Filter 793 (Vanity Fair)	step
			133-215	Reserved	
			216-217	User colour 1	step

## DMX protocol

Mode/channel			DMX Value	Function	Type of control
1	2	3			
			218-219	User colour 2	step
			220-221	User colour 3	step
			222-223	User colour 4	step
			224-225	User colour 5	step
			226-227	User colour 6	step
			228-229	User colour 7	step
			230-231	User colour 8	step
			232-233	User colour 9	step
			234-235	User colour 10	step
			236-245	Rainbow effect (with fade time) from slow-> fast	proportional
			246-255	Rainbow effect (without fade time) from slow-> fast	proportional
<b>12</b>	<b>9</b>	<b>*</b>		<b>Cyan/Red (8 bit)</b>	
			0 - 255	Colour saturation control - coarse 0-100% (0=default for CMY mode, 255=default for RGB mode)	proportional
<b>13</b>	<b>*</b>	<b>*</b>		<b>Cyan/Red (16 bit)</b>	
			0 - 255	Colour saturation control - fine (0=default for CMY mode, 255=default for RGB mode)	proportional
<b>14</b>	<b>10</b>	<b>*</b>		<b>Magenta/Green (8 bit)</b>	
			0 - 255	Colour saturation control - coarse 0-100% (0=default for CMY mode, 255=default for RGB mode)	proportional
<b>15</b>	<b>*</b>	<b>*</b>		<b>Magenta/Green (16 bit)</b>	
			0 - 255	Colour saturation control - fine (0=default for CMY mode, 255=default for RGB mode)	proportional
<b>16</b>	<b>11</b>	<b>*</b>		<b>Yellow/Blue (8 bit)</b>	
			0 - 255	Colour saturation control - coarse 0-100% (0=default for CMY mode, 255=default for RGB mode)	proportional
<b>17</b>	<b>*</b>	<b>*</b>		<b>Yellow/Blue (16 bit)</b>	
			0 - 255	Colour saturation control - fine (0=default for CMY mode, 255=default for RGB mode)	proportional
<b>*</b>	<b>*</b>	<b>12</b>		<b>Red (8 bit)</b>	
			0 - 255	Colour saturation control - coarse 0-100% (255=default)	proportional
<b>*</b>	<b>*</b>	<b>13</b>		<b>Red (16bit)</b>	
			0 - 255	Colour saturation control - fine (255=default)	proportional
<b>*</b>	<b>*</b>	<b>14</b>		<b>Green (8 bit)</b>	
			0 - 255	Colour saturation control - coarse 0-100% (255=default)	proportional
<b>*</b>	<b>*</b>	<b>15</b>		<b>Green (16bit)</b>	
			0 - 255	Colour saturation control - fine (255=default)	proportional
<b>*</b>	<b>*</b>	<b>16</b>		<b>Blue (8 bit)</b>	
			0 - 255	Colour saturation control - coarse 0-100% (255=default)	proportional
<b>*</b>	<b>*</b>	<b>17</b>		<b>Blue (16bit)</b>	
			0 - 255	Colour saturation control - fine (255=default)	proportional
<b>*</b>	<b>*</b>	<b>18</b>		<b>Amber (8 bit)</b>	
			0 - 255	Colour saturation control - coarse 0-100% (255=default)	proportional
<b>*</b>	<b>*</b>	<b>19</b>		<b>Amber (16bit)</b>	
			0 - 255	Colour saturation control - fine (255=default)	proportional
<b>*</b>	<b>*</b>	<b>20</b>		<b>Light green (8 bit)</b>	
			0 - 255	Colour saturation control - coarse 0-100% (255=default)	proportional
<b>*</b>	<b>*</b>	<b>21</b>		<b>Light green (16bit)</b>	
			0 - 255	colour saturation control - fine (255=default)	proportional

DMX protocol

Mode/channel			DMX Value	Function	Type of control
1	2	3			
18	12	22		<b>Colour temperature correction (CTC)</b>	
			0-1	8000 K	step
			2-64	Colour temperature changing 7978 K ->6622 K (22 K /1 DMX)	proportional
			65	6600 K	step
			66-109	Colour temperature changing 6578 K ->5622 K (22 K/1 DMX)	proportional
			110	5600 K (110=default)	step
			111-179	Colour temperature changing 5580 K ->4220 K (20 K/1 DMX)	proportional
			180	4200 K	step
			181-229	Colour temperature changing 4180 K ->3220 K (20 K/1 DMX)	proportional
			230	3200 K	step
			231-254	Colour temperature changing 3180 K ->2720 K (20K /1 DMX)	proportional
		255	2700K	step	
19	*	23		<b>Green correction</b>	
			0	Uncorrected white	step
			1-127	Minus green --> uncorrected white	proportional
			128	Uncorrected white (128=default)	step
		129-255	Uncorrected white --> Plus green	proportional	
20	*	24		<b>Colour mix control</b>	
				<i>Defines relation between Virtual Colour wheel and colour channels</i>	
				"Virtual" = Virtual Colour Wheel	
				"Colour mix" = Colour channels (CMY/RGBALight Green/CTC)	
			0-9	"Virtual " has priority over "Colour mix" (0=default)	
			10-19	Maximum mode (highest values have priority)	step
			20-29	Minimum mode (lowest values have priority)	step
			30-39	Multiply mode (multiply "Virtual" and "Colour mix")	step
			40-49	Addition mode ("Virtual" + "Colour mix")	step
			50-59	Subtraction mode ("Virtual" – "Colour mix")	step
			60-69	Inverted Subtraction mode ("Colour mix"-"Virtual")	step
			70-79	White Point Off (CTC+Green Cor.+Virtual Colour Wheel deactivated)	step
			80-128	Reserved	
			129	Crossfade "Virtual" only	step
130-254	Crossfade between "Virtual" and "Colour mix"	proportional			
		255	Crossfade "Colour mix" only	step	
21	*	25		<b>Barndoors/Zoom/Frost time</b>	
			0	Function is off (0=default)	step
		1 - 255	Time of barndoors, zoom and frost movement (0.1 sec-->25.5 sec.)	proportional	
22	13	26		<b>Scrim positioning</b>	
			0	No function (0=default)	step
		1-255	Scrim inserting (0.5%-->100%)	proportional	
23	14	27		<b>Scrim indexing</b>	
			0-255	Scrim indexing 0°-360° /1.4°per 1 DMX/, ( 128=default) (0 DMX=0°, 64DMX=90°, 128DMX=180°, 192DMX=270°, 255DMX=360°)	proportional
24	15	28		<b>Frost</b>	
			0	Open (0=default)	step
				<b>Light Frost</b>	
			1-50	Light Frost from 0% to 100%	proportional
		51-53	100% Light Frost	step	
		54-63	Pulse closing from slow to fast	proportional	

## DMX protocol

Mode/channel			DMX Value	Function	Type of control
1	2	3			
			64-73	Pulse opening from fast to slow	proportional
			74-83	Ramping from fast to slow	proportional
			84-86	Open	step
				<b>Medium Frost</b>	
			87-136	Medium Frost from 0% to 100%	proportional
			137-139	100% Medium Frost	step
			140-149	Pulse closing from slow to fast	proportional
			150-159	Pulse opening from fast to slow	proportional
			160-169	Ramping from fast to slow	proportional
			170-255	Open	step
<b>25</b>	<b>16</b>	<b>29</b>		<b>Zoom</b>	
			0 - 255	Zoom from max. to min. beam angle (128=default)	proportional
<b>26</b>	*	<b>30</b>		<b>Zoom - fine</b>	
			0-255	Fine zooming (0=default)	proportional
<b>27</b>	<b>17</b>	<b>31</b>		<b>Edge colour correction</b>	
			0-255	Fine correction of the colour of the image edge (128=default)	proportional
<b>28</b>	<b>18</b>	<b>32</b>		<b>Barndoors rotation</b>	
			0-255	Rotation 0°--> 180° (128=default)	proportional
<b>29</b>	<b>19</b>	<b>33</b>		<b>Barndoor 1 - movement</b>	
			0-255	Movement from Outward to Inward (0=default)	proportional
<b>30</b>	<b>20</b>	<b>34</b>		<b>Barndoor 2 - movement</b>	
			0-255	Movement from Outward to Inward (0=default)	proportional
<b>31</b>	<b>21</b>	<b>35</b>		<b>Barndoor 3 - movement</b>	
			0-255	Movement from Outward to Inward (0=default)	proportional
<b>32</b>	<b>22</b>	<b>36</b>		<b>Barndoor 4 - movement</b>	
			0-255	Movement from Outward to Inward (0=default)	proportional
<b>33</b>	<b>23</b>	<b>37</b>		<b>Shutter/ strobe</b>	
			0 - 31	Shutter closed	step
			32 - 63	Shutter open (32=default)	step
			64 - 95	Strobe-effect from slow to fast	proportional
			96 - 127	Shutter open	step
			128 - 143	Opening pulse in sequences from slow to fast	proportional
			144 - 159	Closing pulse in sequences from fast to slow	proportional
			160 - 191	Shutter open	step
			192 - 223	Random strobe-effect from slow to fast	proportional
			224 - 255	Shutter open	step
<b>34</b>	<b>24</b>	<b>38</b>		<b>Dimmer intensity</b>	
			0 - 255	Dimmer intensity from 0% to 100% (0=default)	proportional
<b>35</b>	*	<b>39</b>		<b>Dimmer intensity - fine</b>	
			0 - 255	Fine dimming (0=default)	proportional
Copyright © 2021 Robe Lighting s.r.o. - All rights reserved					
All Specifications subject to change without notice					

Colour macros on Virtual Colour Wheel					
Colour name	Red DMX	Green DMX	Blue DMX	Amber DMX	Light Green DMX
Filter 4 (Medium Bastard Amber)	255	47	7	255	87
Filter 10 (Medium Yellow)	255	65	0	255	132
Filter 19 (Fire)	255	0	0	186	1
Filter 26 (Bright Red)	255	0	0	25	0
Filter 58 (Lavender)	255	0	68	255	44
Filter 68 (Sky Blue)	132	190	159	0	36
Filter 71 (Tokyo Blue)	0	0	255	0	0
Filter 79 (Just Blue)	123	147	171	0	56
Filter 88 (Lime Green)	255	237	2	198	185
Filter 90 (Dark Yellow Green)	0	255	2	0	169
Filter 100 (Spring Yellow)	255	0	0	255	223
Filter 101 (Yellow)	255	0	0	255	157
Filter 102 (Light Amber)	255	142	4	255	90
Filter 103 (Straw)	255	138	4	255	97
Filter 104 (Deep Amber)	255	0	0	255	124
Filter 105 (Orange)	255	0	0	255	60
Filter 106 (Primary Red)	255	0	0	104	0
Filter 111 (Dark Pink)	255	0	11	255	59
Filter 115 (Peacock Blue)	0	255	31	0	72
Filter 116 (Medium Blue-Green)	0	255	20	0	63
Filter 117 (Steel Blue)	45	255	42	158	225
Filter 118 (Light Blue)	4	255	37	0	77
Filter 119 (Dark Blue)	0	165	118	0	0
Filter 120 (Deep Blue)	3	165	111	0	0
Filter 121 (Filter Green)	84	255	0	235	24
Filter 128 (Bright Pink)	255	0	10	127	0
Filter 131 (Marine Blue)	0	255	75	51	116
Filter 132 (Medium Blue)	0	255	102	0	42
Filter 134 (Golden Amber)	255	51	0	255	42
Filter 135 (Deep Golden Amber)	255	35	0	255	0
Filter 136 (Pale Lavender)	184	7	51	255	60
Filter 137 (Special Lavender)	231	63	43	255	99
Filter 138 (Pale Green)	255	224	6	255	200
Filter 139 (Primary Green)	0	255	0	0	84
Filter 141 (Bright Blue)	0	255	77	0	82
Filter 147 (Apricot)	255	0	4	255	115
Filter 148 (Bright Rose)	255	0	7	255	13
Filter 152 (Pale Gold)	255	0	11	255	112
Filter 154 (Pale Rose)	255	0	16	255	119
Filter 157 (Pink)	255	0	7	255	27
Filter 158 (Deep Orange)	255	0	0	255	30
Filter 162 (Bastard Amber)	255	175	7	255	50
Filter 164 (Flame Red)	255	0	0	142	0
Filter 165 (Daylight Blue)	12	255	158	3	156
Filter 169 (Lilac Tint)	255	12	27	255	61
Filter 170 (Deep Lavender)	255	0	65	255	90

<b>Colour name</b>	<b>Red DMX</b>	<b>Green DMX</b>	<b>Blue DMX</b>	<b>Amber DMX</b>	<b>Light Green DMX</b>
Filter 172 (Lagoon Blue)	0	238	113	0	255
Filter 179 (Chrome Orange)	255	0	0	255	112
Filter 180 (Dark Lavender)	92	15	188	76	46
Filter 181 (Congo Blue)	185	0	214	0	0
Filter 197 (Alice Blue)	0	249	163	39	0
Filter 201 (Full C.T. Blue)	38	150	97	36	246
Filter 202 (Half C.T. Blue)	164	13	123	34	255
Filter 203 (Quarter C.T. Blue)	255	203	54	104	255
Filter 204 (Full C.T. Orange)	255	125	0	255	14
Filter 205 (Half C.T. Orange)	255	139	5	255	67
Filter 206 (Quarter C.T. Orange)	255	60	17	255	105
Filter 247 (Filter Minus Green)	255	28	36	255	56
Filter 248 (Half Minus Green)	255	20	45	255	200
Filter 281 (Three Quarter C.T. Blue)	38	255	102	136	227
Filter 285 (Three Quarter C.T. Orange)	255	0	0	255	121
Filter 352 (Glacier Blue)	16	255	119	5	149
Filter 353 (Lighter Blue)	14	255	66	0	157
Filter 715 (Cabana Blue)	0	222	182	0	0
Filter 778 (Millennium Gold)	255	0	0	255	37
Filter 793 (Vanity Fair)	255	0	26	171	0