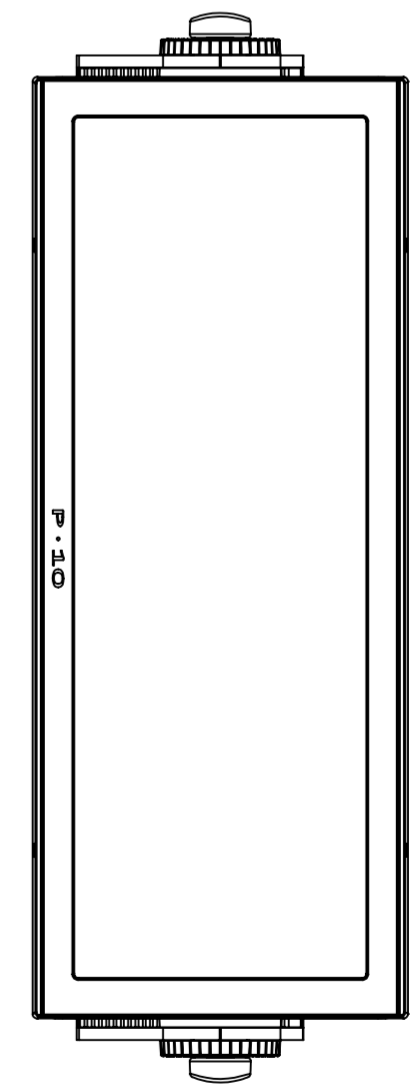
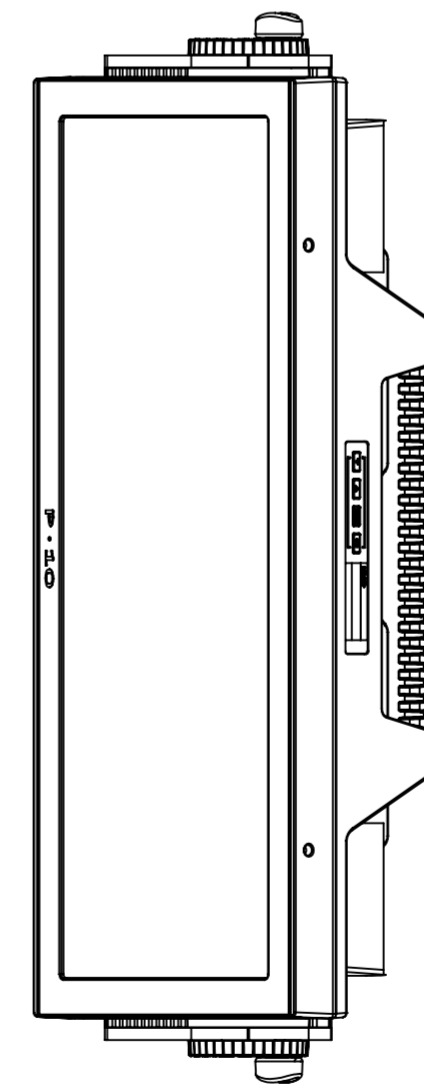
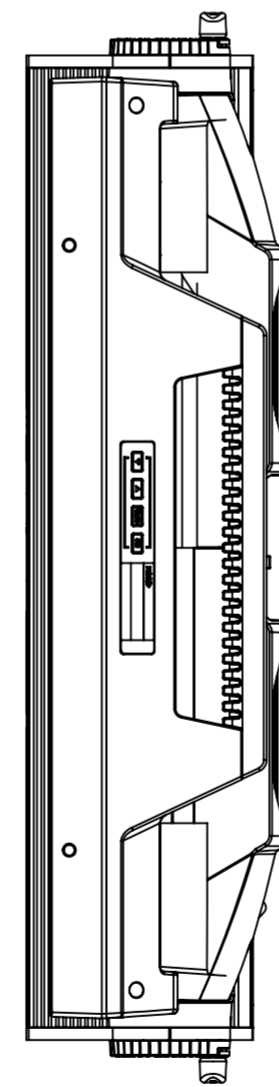
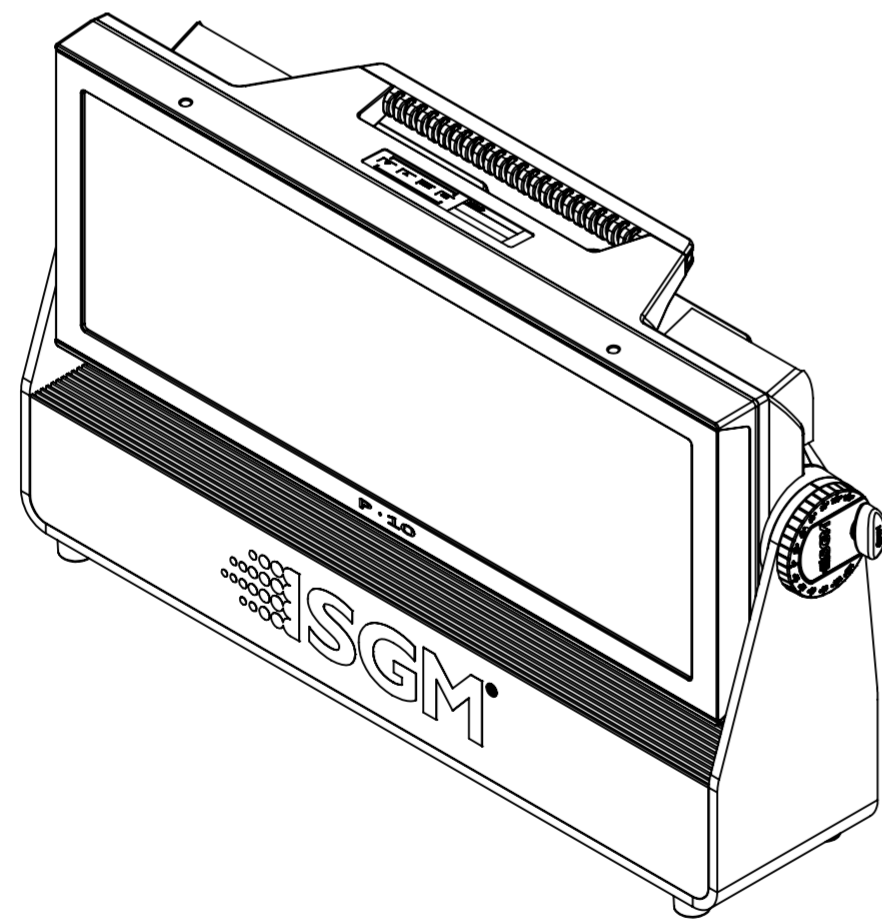
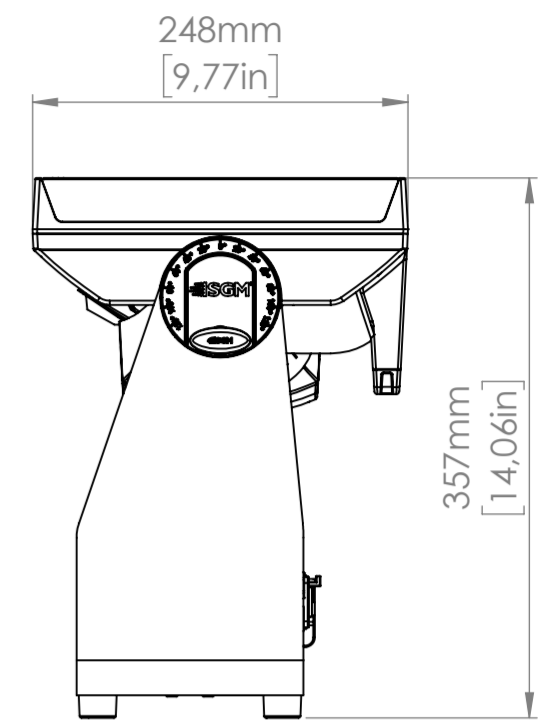
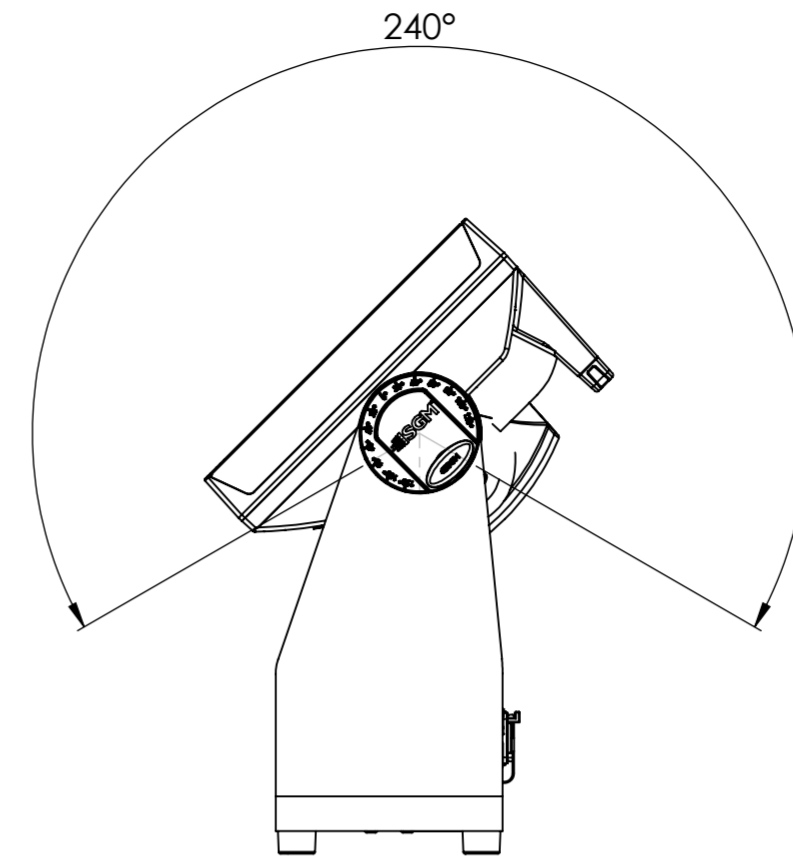
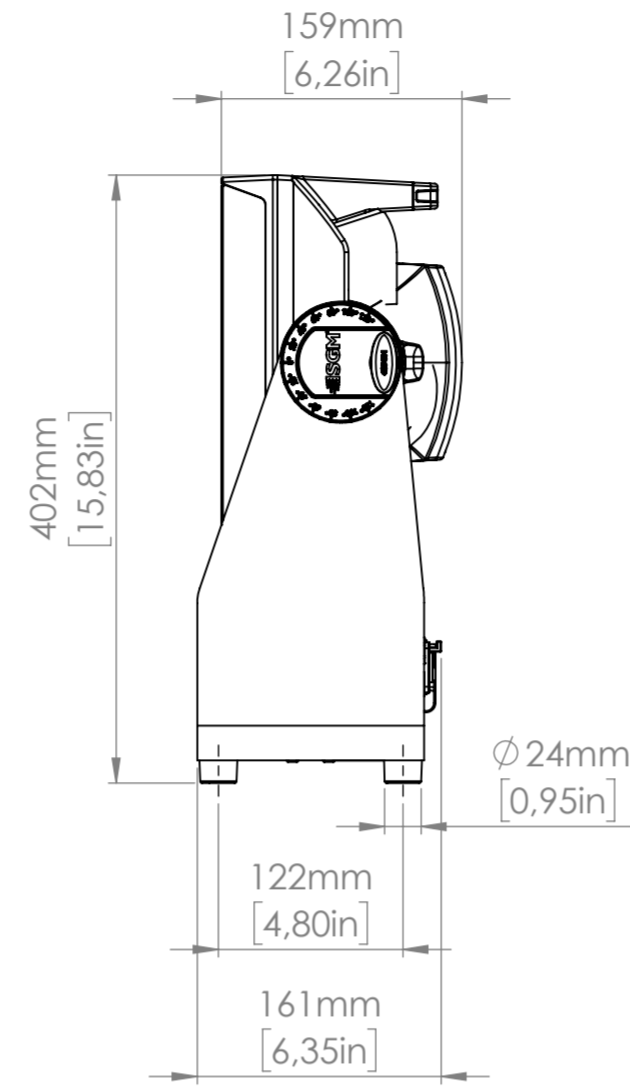
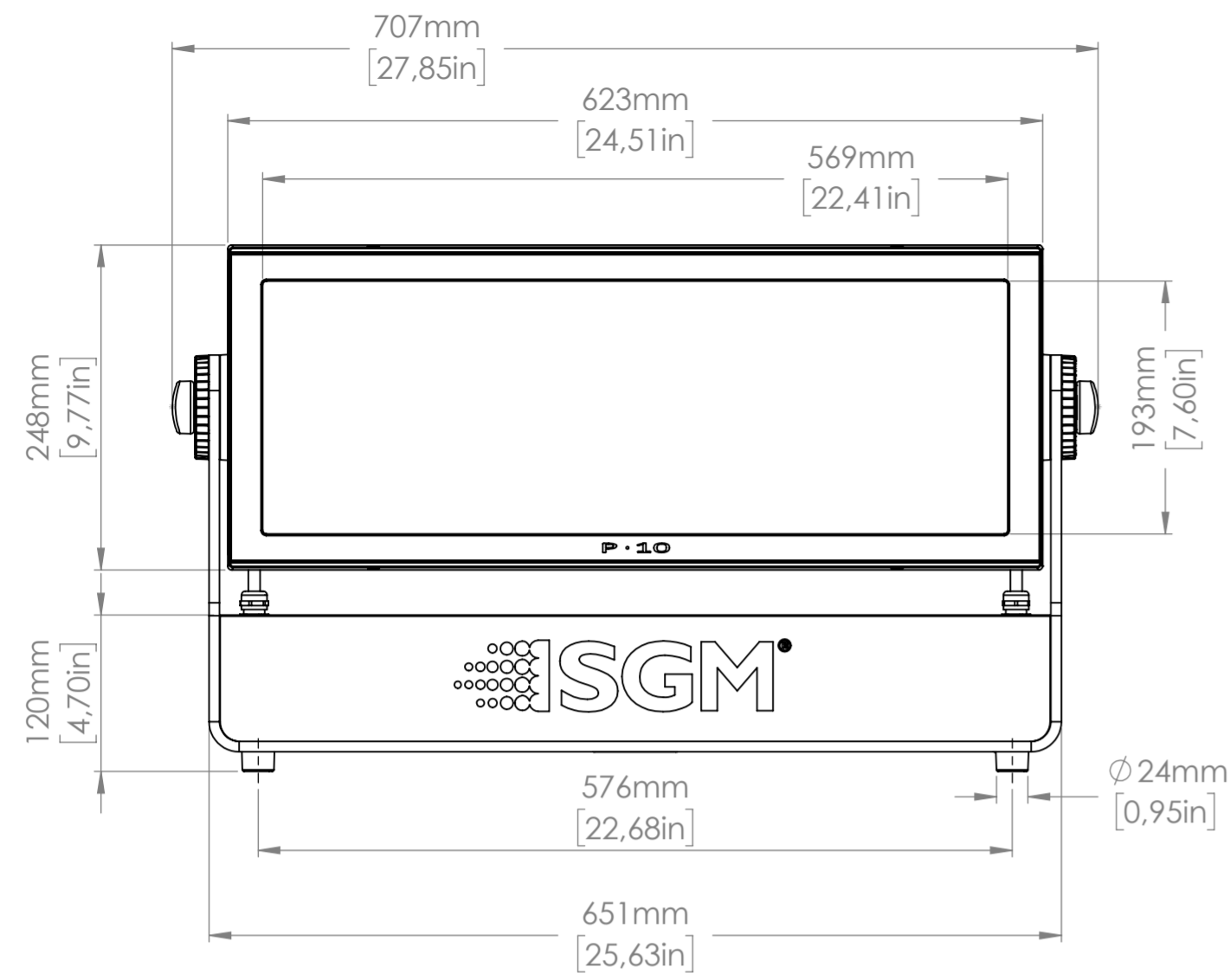


REVISIONS				
REV.	DESCRIPTION	ECO	DATE	CHANGED BY



Tolerances according to ISO 2768-1: M

Nominal size	Permissible deviations
0.5	±0.1
up to 3	±0.1
over 3	±0.1
up to 6	±0.1
over 6	±0.2
up to 30	±0.2
over 30	±0.3
up to 120	±0.3
over 120	±0.5
up to 400	±0.5
over 400	±0.8
up to 1000	±0.8
over 1000	±1.2
up to 2000	±1.2

DEBUR AND BREAK SHARP EDGES	DO NOT SCALE DRAWING
Created By: MLA	DATE: 2. marts 2017 16:30:19
Last saved By: rer	DATE: 21. september 2017 18:11:38
FINISH: Black	MATERIAL: Material <not specified>
WEIGHT: 18836.92	SCALE: 1:5

ISGM PAPER SIZE: A2

TITLE: P-10 Std BL

DWG NO.: 60033001-D

SHEET 1 OF 1