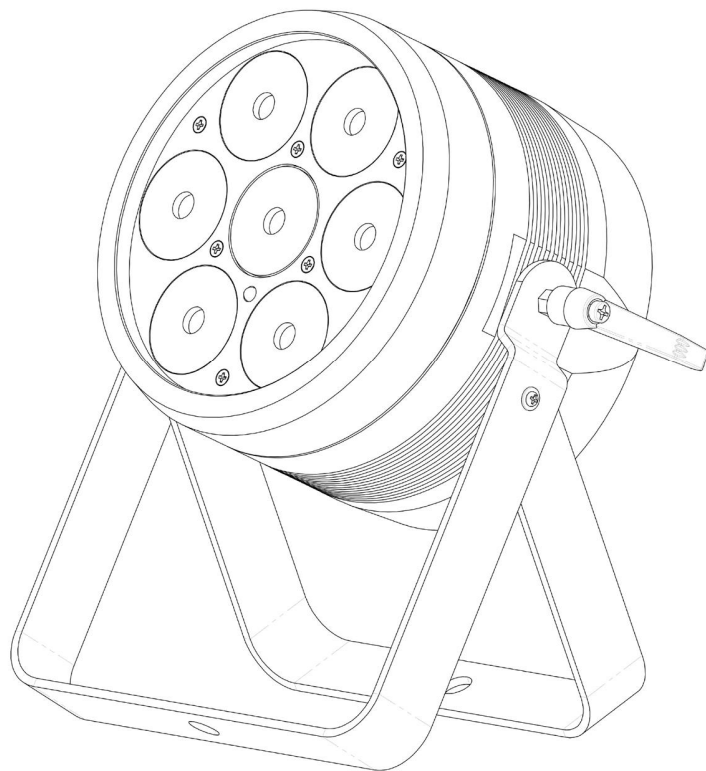


LITECRAFT[®]

BeamX.7



Bedienungsanleitung
User Manual

Vielen Dank für den Kauf dieses LITECRAFT Produktes. Zu Ihrer eigenen Sicherheit lesen Sie bitte vor der ersten Inbetriebnahme diese Bedienungsanleitung sorgfältig.

INHALTSVERZEICHNIS

SICHERHEITSHINWEISE	3
BESTIMMUNGSGEMÄßE VERWENDUNG	4
MONTAGE	5
ELEKTRISCHER ANSCHLUSS	6
REINIGUNG UND WARTUNG	6
BEDIENUNG	7
WIRELESS DMX-BETRIEB	9
DISPLAY-MODUS	10
DMX-MODUS	12
PHOTOMETRISCHE DATEN	14
TECHNISCHE SPEZIFIKATIONEN	14

Thank you for purchasing this LITECRAFT product. For your own safety, please read the instruction manual carefully before turn on the product for the first time.

CONTENT

SAFETY NOTES	15
DESIGNATED USE	16
INSTALLATION	17
ELECTRICAL CONNECTION	18
CLEANING AND MAINTENANCE	18
OPERATION	19
WIRELESS DMX-MODE	21
DISPLAY-MODE	22
DMX-MODE	24
BEAM SPECS	26
TECHNICAL SPECIFICATION	26

SAFETY NOTES

- Each person which is responsible for the installation, the use or service of this unit must be:
 - qualified
 - has to follow the instructions in this manual.

WARNING!

Be careful when using the device. You risk an electrical shock from high voltage, if you touch the wires!

- The device has left our company in manufacturer proofed state. To maintain this status and to ensure a permanent safe operation, it is absolutely necessary to follow the safety instructions and warnings in this manual.

IMPORTANT!

Errors, caused by not following these instructions are not covered by the warranty. The manufacturer will not accept liability for any resulting defects or problems.

- Keep the unit away from radiators or other heat sources!
- If the unit has been exposed to tremendous temperature changes (e.g. after transportation), do not turn it on immediately. The resulting condensation could damage the unit. Don't switch unit on until the device reaches room temperature.
- This device belongs to protection class I. Therefore, it is imperative that the green/yellow wire is connected to the earth contact of the plug. The electrical connection must be made by a qualified person.
- Make sure that the cable has never been squeezed or damaged by sharp objects. Check the device and the cables regularly.
- If the cable is damaged, it must be replaced immediately by the manufacturer, its service agent or a qualified person in order to avoid danger.
- Lenses, glasses or UV filters must be replaced if they are visually damaged, or their effectiveness is impaired, e.g. by broken glass or by deep scratches.
- Ensure that wires never come in contact with other wires! Handle the power cord and all connections with caution!
- Make sure that the line voltage is not higher than the voltage specified in this manual.
- Disconnect the unit from the AC mains when it is not in use or when cleaning it. Disconnect the connection only by pulling the cable plug.
- Using the fixture for the first time, can result in light smoke and odors. This is a normal process and does not constitute a defect.

RISK OF BURNS!

Do not touch the unit during operation! The housing may reach high temperatures.

RISK TO HEALTH!


Never look directly into the light source. Especially epileptics risk an epileptic shock! Disconnect the unit from the AC mains when not in use or when cleaning it.

- Defects caused by modifications of the device by unqualified handling or an unqualified person are not covered by the warranty.
- Keep the product away from children and unskilled people.
- There are no wear parts in the device. Maintenance and service must be performed only by an authorized service partner.

WARNING! Please make sure to read safety instructions for handling of integrated battery in chapter **SAFETY INSTRUCTIONS BATTERY!**

DESIGNATED USE

This product is a spotlight, which is designed only for professional use on stages, discotheques, theatres, etc. This product is approved for mains connection up to 230 VAC and designed for indoor use.

- Please avoid any kind of shocks and outer actions during its installation or transportation.
- Take care of too high ambient temperature, humidity and dust when choosing the installation location. Assure that all cables are fixed. Incorrect operation may lead to danger.
- Image  shows the minimum distance to illuminated objects. Minimum distance between fixture and illuminated surface is 0,1 meters
- Assure that the area below the mounting position of the fixture is roped in while mounting, dismantling and service.
- The spotlight itself and its accessories like color frame and barndoors have to be safed with a suitable safety chain.
- Assure that the maximum ambient temperature is never exceeded.
- Do not put the fixture in operation before you are familiar with its functions. Keep the product away from children and unskilled people.

INSTALLATION

- There are specific regulations like DGUV V17/18 (old BGV C1) or country related regulations which need to attend during the installation. The installation has to be handled by skilled persons only!
- Suspension device has to be built and calculated in order to handle up to 10 times its specific load limit over a time of one hour without permanent or harmful deformation.
- Installation has to be done with a separate, independent suspension device like a safety chain. A second suspension device has to be built in order to assure that in case of error no part of an installation can fall off.
- Trepassing the danger zone below the installation during the assembling is prohibited.
- Installer has to take care of all safety and machinery installations are approved by authorized persons before first operation or after changes before restarting.
- Installer has to take care of all safety and machinery installations are approved by skilled persons at least once a year.
- Installer has to take care of all safety and machinery installations are approved by authorized persons at least every four years during the acceptance inspection.
- Spotlight should ideally installed outside peoples lounge area.

ATTENTION!

Installation overhead needs a high level of experience. This includes (but is not just limited to) calculation and definition of load capacity, used installation material and regular safety inspections of used material and the fixture itself. Never try to do the installation by yourself if you are not qualified, instead you have to instruct a skilled installer. Inappropriate installations can cause injuries and/or damage of property.

- Spotlight has to be installed outside areas where people can touch it.
- Professional truss system or similar licensed suspension systems have to be used if the spotlight is used in suspension from ceiling or other constructions. Spotlights can never be installed freely suspended!

ATTENTION!

Spotlights can cause injuries when fall off. If you are not trained in questions of safety for the different kinds of installation do NOT install the spotlight!

- Assure that the mounting surface can hold at least ten times the point load of the spotlight before installing the fixture.

ATTENTION!

Assure the specified safety distances to flammable material.

- Attach the spotlight with its yoke and the use of a suitable hook/clamp to your truss system. According to your installation also similar but approved suspension devices are possible. The therefor used opening has a diameter of about 10 mm.
- When installing the spotlight overhead make sure to safe the fixture by a safety chain which is specified at least with a load limit of 12 times of the spotlights weight. Only safety chain with approved connective can be used. Attach the safety chain to its designated opening and attach it to the truss system or a similar and safe attachment point. Assure to close the fasteners as specified.
- To adjust the angle of the fixture open the locking screw, set the fixture in its position and close it by hand.

ELECTRICAL CONNECTION

- Connection to the mains is only allowed by skilled persons.
- Before connecting the fixture to the mains, assure that the specifications are corresponding.
- Electrical grounding has to be used in the whole installation!

ATTENTION!

Installation has to be approved by an authorized person before first operation!

CLEANING AND MAINTENANCE

- Installer has to take care of all safety and machinery installations are approved by skilled persons at least once a year.
- Installer has to take care of all safety and machinery installations are approved by authorized persons at least every four years during the acceptance inspection. Following points need to receive special attention:
 - All screws used for mounting the fixture or parts of it need to be proof and must not show corrosion.
 - Housing, Suspension device and installation site (ceiling, suspension, truss) must not show deformation.
 - All power cords must not show any damage, aging (for example porous wires) or sediments. Other, to the location related and usage aligned regulations will be observed by the skilled person and safety defects will be fixed.

ATTENTION!

Make sure that the fixture is disconnected from mains during all maintenance! Is it important to unplug mains connector!

- The fixture must be regularly cleaned from dirt and dust. Only use a wetted, lint-free cloth for cleaning the fixture. Never use alcohol or any kind of solvent for cleaning.
- Inside the fixture there are no parts which need maintenance. Maintenance & service must be done by authorized dealers only. Only use original spare parts!

Advice!

If you have further questions, your local dealer will be happy to help you.

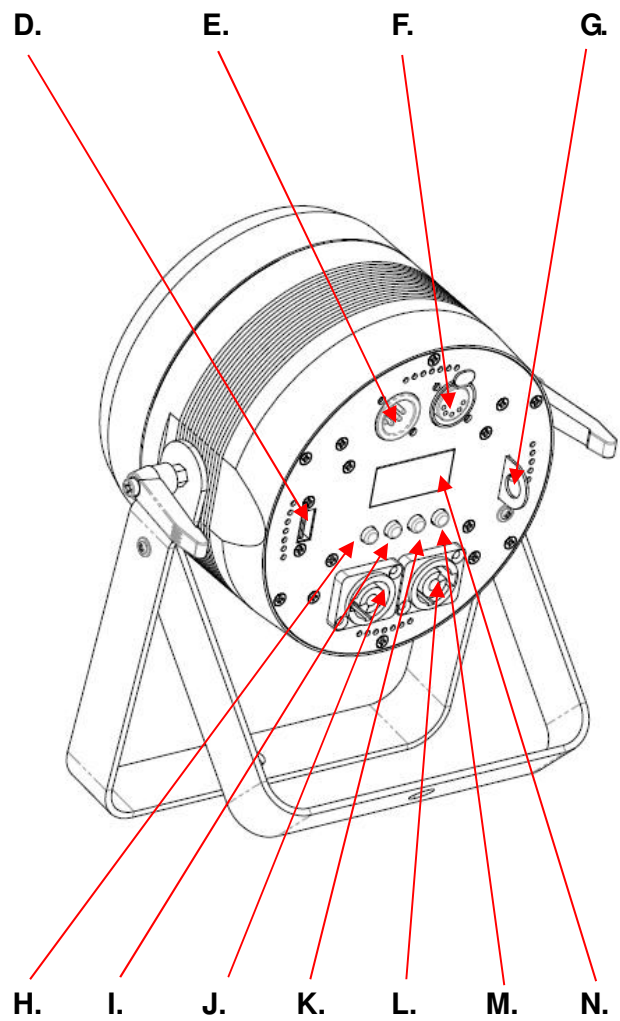
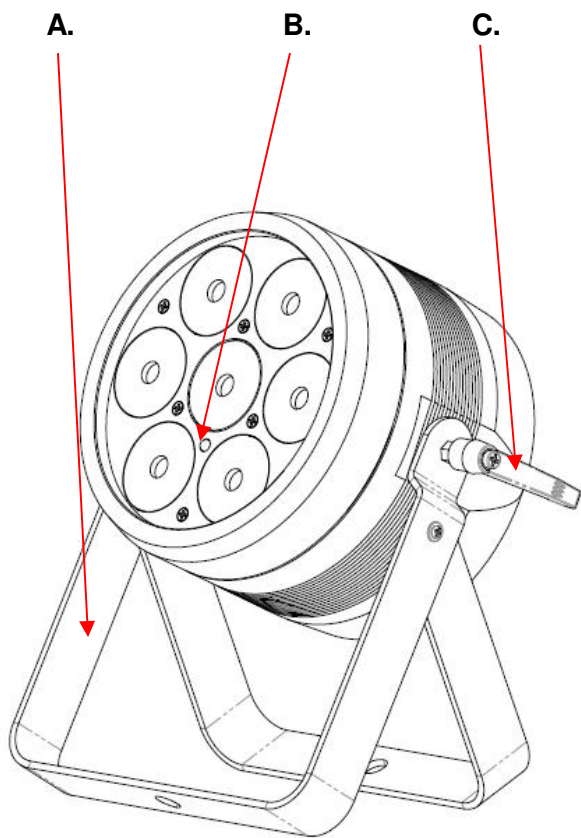
OPERATION

- This device has several DMX- and Stand-Alone-Modes. In DMX-mode, multiple devices can be connected and controlled by a controller. The device accepts the settings of the DMX-controller, as soon as the corresponding start address is set.
- Slave mode:
Connect the DMX-output of the master device (XLR female) to the DMX-input of the slave device (XLR male). Set the slave device to mode Slave (display shows: <SLAVE>). The slave device accepts all settings of the master device (such as programm, programm speed, color).
- Display description:
The display shows the different DMX-modes & the DMX-start address or programm, programm speed, etc.; the first line shows the mode, the second line the corresponding value.
- Button description:
Press the MENU button to get access to the menu. Press the UP/DOWN button to select the relevant topic. Press ENTER button to change the relevant topic; change the relevant topic by pressing UP/DOWN button to set the DMX-start address or any of the pre-programmed modes or the speed values. Use the UP button to increase the value. Use the DOWN button to decrease it. Press ENTER button again to save your settings and get access to next menu.

NOTE!

If you hold the UP or DOWN button for longer, the value changes faster. The device has an automatic storage for all settings. When you turn the device off and on again, it works with the previously set values. If the unit is not operated or about 30 seconds, the buttons are locked. Unlock these by pushing one of the backside buttons for about three seconds.

- The unit is additionally equipped with an infrared remote control. The use of this infrared remote control is possible in every mode. Point the infrared remote control in direction of the infrared receiver on top of the fixture. Choose a color or a program by use of the infrared remote control. To leave infrared-mode press the button "OFF" on the remote control, press one of the backside buttons on the fixture or switch off the unit and on again by removing the mains plug from the mains.



- A. Yoke
- B. IR-Sensor
- C. Locking Screw
- D. CRMX-Input
- E. DMX-Input 5 pin
- F. DMX-Output 5 pin
- G. Safety Attachment Point
- H. Menu-Button
- I. Up-Button
- J. Mains-Input
- K. Down-Button
- L. Mains-Output
- M. Enter-Button
- N. LC-Display

WIRELESS DMX-MODE

The unit is equipped with a connector for an optional LumenRadio CRMX Wireless DMX-module. The module is compatible to CRMX transmitter units from LumenRadio and Wireless Solutions transmitter units version G3 and G4.

For the use with CRMX the LumenRadio CRMX Wireless DMX-module needs to be plugged to the backside USB-connector and the unit must be set to one of the five DMX-modes. Press MODE button and use UP/DOWN buttons until display shows „DMX Chan“. Press ENTER and choose the right mode by use of UP/DOWN buttons. Furthermore you need to choose the corresponding DMX-start adress. Which mode is the right one for you is up to the range of functions you would like to use, the library and the channels of the used DMX-controller. Please read chapter **DMX-Mode** of this manual to get an idea of which channels can be controlled in which DMX-mode.

Up next there is a need for logical connection (pairing) of the unit with external DMX-transmitter. Press CONNECT button on DMX-transmitter shortly. The transmitter searches for all available units and connects to them. The logical connection (pairing) is done and safed until it is released manually.

NOTE!

If a unit is not connecting to an external DMX-transmitter it is already connected logical to another transmitter. In this case the connection needs to be released manually. Press and hold CONNECT button on the LumenRadio CRMX Wireless DMX-Module for at least 3 seconds. After this please repeat the procedure for logical connection (pairing) whilst pressing CONNECT button on DMX-transmitter shortly again.

DISPLAY-MODE

display	function	
DEF. SET	DEF. SET <***> *** = <NO> <YES>	reset all parameter to factory defaults
DMX Addr	DMX Addr <***> *** = DMX-adress	display the DMX-adress (2 Ch = <001-511>) (3 Ch = <001-510>) (4 Ch = <001-509>) (5 Ch = <001-508>) (10 Ch = <001-503>) (default setting = 1)
DMX Chan	DMXChan **** = **** = < 2Ch> < 3Ch> < 4Ch> < 5Ch> <10Ch>	setting DMX-channel mode (description of modes in next chart) (default setting = 4 Ch)
Dimmer	Dimmer <***> *** = <OFF> <1> <2> <3> <4>	setting dimmer curve OFF = dimmer linear 1 = dimmer delayed 1 2 = dimmer delayed 2 3 = dimmer delayed 3 4 = dimmer delayed 4
Master/Slave	Master/Slave <*****> ***** = Master ***** = Slave	setting working mode (Master = control without external controller) (Slave = control with external controller) (default setting = Slave)
ColSet	ColSet <Red> <***> *** = <0-255> <Green> <***> *** = <0-255> <Blue> <***> *** = <0-255> <White> <***> *** = <0-255>	setting brightness for each color in steps of 256

ColProgr	ColProgr <*> ** = <00-31>	31 pre-programmed chasers available (deactivation of all pre-programmed chasers by menu Master/Slave!)
	Speed <*> ** = <00-30>	setting speed in 30 steps for the pre-programmed chaser available
WhiteBal	WhiteBal <Red> <*> *** = 125-255 <Green> <*> *** = 125-255 <Blue> <*> *** = 125-255	setting white balance (default setting = R = 255, G = 255, B = 255)
Temp.	Temp <***C> <***C = Betriebstemperatur	Display the current temperature inside the fixture
DispPerm	<DispPerm *> *** = ON *** = OFF	setting automatic switch off for lcd backlite (default setting = On)

DMX-MODE

mode	display	function
2 channel mode	< 2 Ch>	ch1 = color macro 000-255 stepless rgb color mix ch2 = master dimmer 000-255 stepless brightness
3 channel mode	< 3 Ch>	ch1 = dimmer red 000-255 stepless brightness red ch2 = dimmer green 000-255 stepless brightness green ch3 = dimmer blue 000-255 stepless brightness blue
4 channel mode	<4 Ch>	ch1 = dimmer red 000-255 stepless brightness red ch2 = dimmer green 000-255 stepless brightness green ch3 = dimmer blue 000-255 stepless brightness blue ch4 = dimmer white 000-255 stepless brightness white
5 channel mode	<5 Ch>	ch1 = dimmer red 000-255 stepless brightness red ch2 = dimmer green 000-255 stepless brightness green ch3 = dimmer blue 000-255 stepless brightness blue ch4 = dimmer white 000-255 stepless brightness white ch5 = master dimmer 000-255 stepless brightness
10 channel mode	<10 Ch>	ch1 = dimmer red 000-255 stepless brightness red ch2 = dimmer green 000-255 stepless brightness green ch3 = dimmer blue 000-255 stepless brightness blue ch4 = dimmer white 000-255 stepless brightness white ch5 = color macro 000-255 stepless rgb color mix ch6 = flash rate 000-020 no function 021-255 flash rate from s -> f ch7 = programmes 000-020 no function 021-099 color jumps 100-149 color fades 150-255 no function ch8 = speed 000-255 stepless speed ch9 = dimmer mode

		<p>000-020 mode set on display 021-049 off = dimmer linear 050-099 1 = dimmer delayed 1 100-149 2 = dimmer delayed 2 150-199 3 = dimmer delayed 3 200-255 4 = dimmer delayed 4 ch10= master dimmer 000-255 stepless brightness</p>
--	--	--

BEAM SPECS

	1 m	3 m	5 m
red	4.690 lx	670 lx	230 lx
green	11.050 lx	1.860 lx	273 lx
blue	450 lx	70 lx	22 lx
white	10.190 lx	1.450 lx	518 lx
rgbw	24.580 lx	3.710 lx	1.374 lx

TECHNICAL SPECIFICATION

- **voltage:** 100-260 V 50-60 Hz
- **power consumption:** 0,2 A @ 230 V
- **measurements:** 21,6 x 15 x 23,1 cm
- **weight:** 2,3 kg
- **DMX-channels:** 2 / 3 / 4 / 5 / 10
- **ip rating:** IP 20