

VL6000 BEAM

Date: _____

Type: _____

Firm Name: _____

Project: _____

Designed specifically as the market-leading mid-air effects fixture, the Vari-Lite VL6000 Beam sets a new standard in its class. A large 356mm (14inch) front aperture – using a new exclusive ellipsoid reflector array system – produces a retro style searchlight effect, with a high output tight collimated shaft of light at 6.4°, which exceeds 55,000 lumens. Its lightweight robust construction and stylish compact design, allows the fixture to transport and install easily, while its visual effects and weather guarded design – for limited protection from rain – offer something versatile and truly spectacular for arena applications. The exclusive cloaked transition generator system can be used to create auto-timed fades between color combo to reduce programming time in transitioning colors.



- Static dynamic color system allows the VL6000 Beam to maintain its highest output at all times and gives the operator 18 direct colors from 3 color wheels as well as color mixing to achieve up to 55 full color combinations and endless split color effects.
- Produces a high output, tight collimated shaft of light at 6.4° and 55,000 lumens.
- The exclusive cloaked transition generator system can be used to create auto-timed fades between color combo to reduce programming time in transitioning colors.
- Aerial beam and image projection system consists of a variable iris reducing the 6.4° to near 1° beam angle, mid-air and projected images area produced via 7 interchangeable fully rotatable and indexable gobos, the edge sharpness and image appearance can be further adjusted via the dedicated focus channel.
- Cloud search mode allows the fixture to be operated without the need of a control console for stand alone applications.
- Includes 1500 W short Arc lamp.

For detailed product information, please refer to the Product Guide at <https://www.vari-lite.com/global/products/vl6000-beam>



VARI*LITE

Specifications

Due to continuous improvements and innovations, specifications may change without notice.

Source

LAMP	PHILIPS MSR Gold PGJX50
Source Max Power Consumption	1,500 W
Source CCT	6500 K / 7000 K, depending on lamp
Dimming	Mechanical glass Wheel
Dimmer Curves	Square Law (Default), Linear, S -Curve
Dimmer Control Option	Dimmer Snap On/Off On reduces auto dimmer smoothing
Tungsten Fade	Selectable on/off
Strobe Speed	0 - 30Hz
Strobe Modes	Continuous, Random, Random Sync

Optical Performance

Lens Size	356 mm (14.0 in)
Beam Angle	6.4°
Focus	Motorized 16-Bit Control
Output Lumens	55000
Output CCT	6300 or 7000 K (Lamp specific)
CRI RA	84

Color

System

Fixed Color Wheel	6 Colors + Open
Fixed Color Wheel	6 Color + Open
Color Wheel	6 Color + Open
Color Wheel	Reverse Entry Color Wheel Design Split Colors, Cloak
Effects	Transition Color Generator

Imaging

Beam Softening	Variable control - Medium Frost
----------------	---------------------------------

Electrical

Max output Power Consumption	2,140 W
Power Connection	Neutrik TrueOne - Power in only Power cable not included - input connector only
Input Voltage	200-240 VAC, 50 / 60 Hz

Data

Supported Protocols	DMX512-A (RDM)
DMX Modes	
16-Bit	23 Channels
Data Connections	5 - Pin XLR Input and Thru, USB (Diagnostics - Firmware)
Manual Preset Mode	Cloud Search mode

Noise Level / Fan Control

Cooling System Type	Forced Air
---------------------	------------

Movement

Pan Angle	540°
Tilt Angle	242°

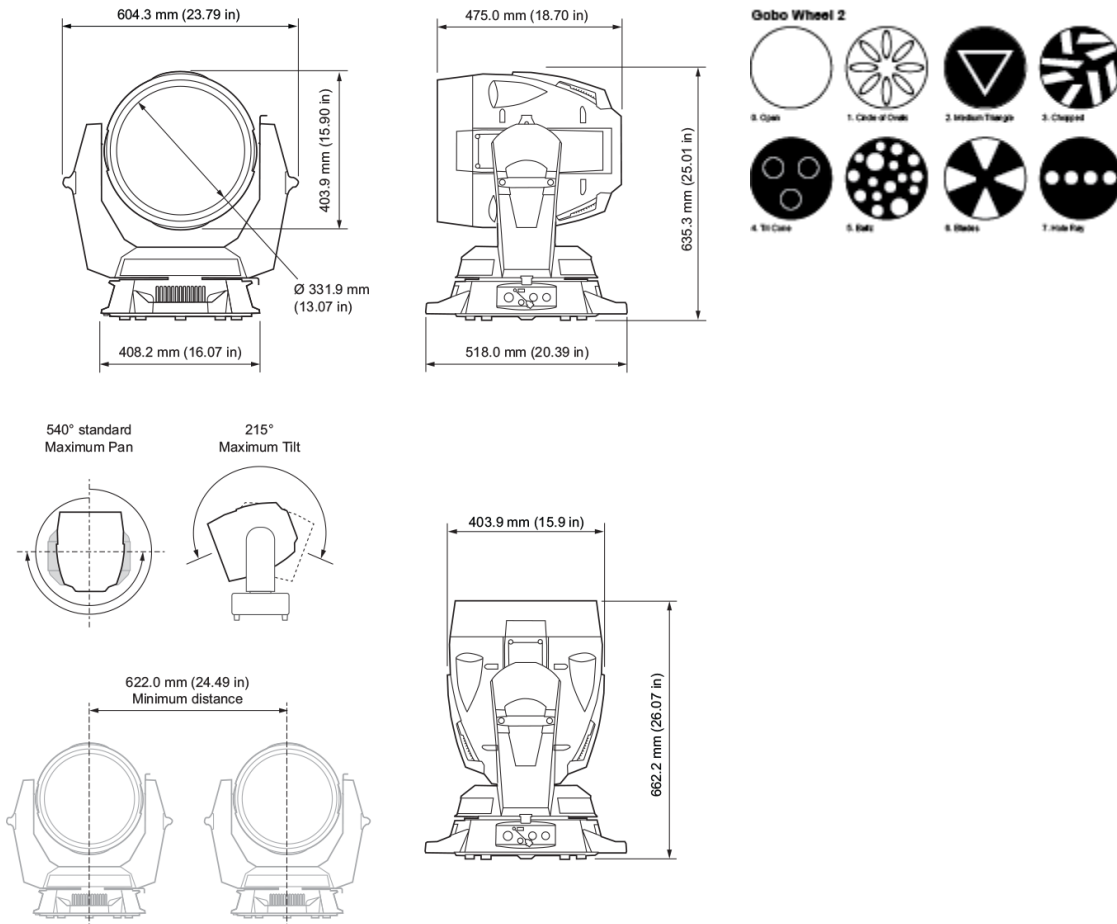
Mounting

Hanging Type	2 x VL Hook Rails
Fixture mounting/Hanging orientation	Hanging - Floor - Side *See user manual for side hang restrictions
Secondary Safety Wire Point	1 x Safety point located on underside of upper enclosure Safety Wire not included

Photometrics and IES Files

For IES files and photometric reports, please refer to the product page:
<https://www.vari-lite.com/global/products/vl6000-beam>

Dimensions



Physical

Construction	Superstructure made of Aluminum, and steel metal plates, Covers self-extinguishing fire retardant ABS PC (V0 class)
IP Rating	IP22
Standard Finish	Black
Dimensions	604 x 662 x 518 mm (24.0 x 26.0 x 20.0 in)
Fixture Weight	28.0 kg (62.0 lb)
Operating Temperature	-20-50°C (-4-122°F)

Certification and Safety

Approbations	CE, ETL, UL, FCC CSA, RoHS, ISO 9001
--------------	--------------------------------------

Gobo and Effect Wheels

Gobo Wheel 1	Rotating/Indexable 6 + Open Interchangeable
Gobo Diameter / Thickness	37.5 mm x 0.8 mm
Image Size	29.5 mm
Gobo Wheel Features	MegaStep, Twist, Shake, Wheel Spin

Luminaire and Accessories

Product type	Order Code
VL6000 BEAM	20.9708.0001
VL6000 Beam (Includes 1500W Short Arc Lamp, rails, and power input connector.)	
Accessories	
GT Truss Rail	22.9708.0835
VL Hanging Rail, 1 x GT Truss drop rail, c/w VL1600, VL4000, VL2600, VLZ series and VL10,	
VL6000 Gobo carrier	10.9708.0212
VL6000 Series , Gobo carrier	
Gobo Retainer	10.9708.0218
VL6000 Series , Gobo retaining spring	



© 2024 Signify Holding. All rights reserved. All trademarks are owned by Signify Holding or their respective owners. The information provided herein is subject to change, without notice. Signify does not give any representation or warranty as to the accuracy or completeness of the information included herein and shall not be liable for any action in reliance thereon. The information presented in this document is not intended as any commercial offer and does not form part of any quotation or contract, unless otherwise agreed by Signify. Data subject to change.

01/29/2024

Vari-Lite
<https://www.vari-lite.com/global/products/V6000-beam>