

# **LITECRAFT<sup>®</sup>**

## *SunX.10*



Bedienungsanleitung  
User Manual

## Safety Notes

- Each person which is responsible for the installation, the use or service of this unit must be:
  - qualified
  - has to follow the instructions in this manual.

### WARNING!

**Be careful when using the device. You risk an electrical shock from high voltage, if you touch the wires!**

- The device has left our company in manufacturer proofed state. To maintain this status and to ensure a permanent safe operation, it is absolutely necessary to follow the safety instructions and warnings in this manual.

### IMPORTANT!

**Errors, caused by not following these instructions are not covered by the warranty. The manufacturer will not accept liability for any resulting defects or problems.**

- Keep the unit away from radiators or other heat sources!
- If the unit has been exposed to tremendous temperature changes (e.g. after transportation), do not turn it on immediately. The resulting condensation could damage the unit. Don't switch unit on until the device reaches room temperature.
- This device belongs to protection class I. Therefore, it is imperative that the green/yellow wire is connected to the earth contact of the plug. The electrical connection must be made by a qualified person.
- Make sure that the cable has never been squeezed or damaged by sharp objects. Check the device and the cables regularly.
- If the cable is damaged, it must be replaced immediately by the manufacturer, its service agent or a qualified person in order to avoid danger.
- Lenses, glasses or UV filters must be replaced if they are visually damaged, or their effectiveness is impaired, e.g. by broken glass or by deep scratches.
- Ensure that wires never come in contact with other wires! Handle the power cord and all connections with caution!
- Make sure that the line voltage is not higher than the voltage specified in this manual.
- Disconnect the unit from the AC mains when it is not in use or when cleaning it. Disconnect the connection only by pulling the cable plug.
- Using the fixture for the first time, can result in light smoke and odors. This is a normal process and does not constitute a defect.

### RISK OF BURNS!

**Do not touch the unit during operation! The housing may reach high temperatures.**


### RISK TO HEALTH!

**Never look directly into the light source. Especially epileptics risk an epileptic shock! Disconnect the unit from the AC mains when not in use or when cleaning it.**

- Defects caused by modifications of the device by unqualified handling or an unqualified person are not covered by the warranty.
- Keep the product away from children and unskilled people.
- There are no wear parts in the device. Maintenance and service must be performed only by an authorized service partner.

## Designated Use

**This product is a spotlight, which is designed only for professional use on stages, discotheques, theatres, etc. This product is approved for mains connection up to 240 VAC and designed for indoor use.**

- Please avoid any kind of shocks and outer actions during its installation or transportation.
- Take care of too high ambient temperature, humidity and dust when choosing the installation location. Assure that all cables are fixed. Incorrect operation may lead to danger.
- Image  shows the minimum distance to illuminated objects. Minimum distance between fixture and illuminated surface is 0,5 meters
- Assure that the area below the mounting position of the fixture is roped in while mounting, dismantling and service.
- The spotlight itself and its accessories like color frame and barndoors have to be safed with a suitable safety chain.
- Assure that the maximum ambient temperature is never exceeded.
- Do not put the fixture in operation before you are familiar with its functions. Keep the product away from children and unskilled people.

# Installation

- There are specific regulations like BGV C1 (old VBG 70) or country related regulations which need to attend during the installation. The installation has to be handled by skilled persons only!
- Suspension device has to be built and calculated in order to handle up to 10 times its specific load limit over a time of one hour without permanent or harmful deformation.
- Installation has to be done with a separate, independent suspension device like a safety chain. A second suspension device has to be built in order to assure that in case of error no part of an installation can fall off.
- Trespassing the danger zone below the installation during the assembling is prohibited.
- Installer has to take care of all safety and machinery installations are approved by authorized persons before first operation or after changes before restarting.
- Installer has to take care of all safety and machinery installations are approved by skilled persons at least once a year.
- Installer has to take care of all safety and machinery installations are approved by authorized persons at least every four years during the acceptance inspection.
- Spotlight should ideally installed outside peoples lounge area.

## ATTENTION!

**Installation overhead needs a high level of experience. This includes (but is not just limited to) calculation and definition of load capacity, used installation material and regular safety inspections of used material and the fixture itself. Never try to do the installation by yourself if you are not qualified, instead you have to instruct a skilled installer. Inappropriate installations can cause injuries and/or damage of property.**

- Spotlight has to be installed outside areas where people can touch it.
- Professional truss system or similar licensed suspension systems have to be used if the spotlight is used in suspension from ceiling or other constructions. Spotlights can never be installed freely suspended!

## ATTENTION!

**Spotlights can cause injuries when fall off. If you are not trained in questions of safety for the different kinds of installation do NOT install the spotlight!**

- Assure that the mounting surface can hold at least ten times the point load of the spotlight before installing the fixture.

## ATTENTION!

**Assure the specified safety distances to flammable material.**

- Attach the spotlight with its yoke and the use of a suitable hook/clamp to your truss system. According to your installation also similar but approved suspension devices are possible. The therefor used opening has a diameter of about 12 mm.
- When installing the spotlight overhead make sure to safe the fixture by a safety chain which is specified at least with a load limit of 12 times of the spotlights weight. Only safety chain

with approved connective can be used. Attach the safety chain to its designated opening and attach it to the truss system or a similar and safe attachment point. Assure to close the fasteners as specified.

- To adjust the angle of the fixture open the locking screw, set the fixture in its position and close it by hand.

## Electrical Connection

- Connection to the mains is only allowed by skilled persons.
- Before connecting the fixture to the mains, assure that the specifications are corresponding.
- Electrical grounding has to be used in the whole installation!

### ATTENTION!

**Installation has to be approved by an authorized person before first operation!**

## Cleaning and Maintenance

- Installer has to take care of all safety and machinery installations are approved by skilled persons at least once a year.
- Installer has to take care of all safety and machinery installations are approved by authorized persons at least every four years during the acceptance inspection. Following points need to receive special attention:
- All screws used for mounting the fixture or parts of it need to be proof and must not show corrosion.
- Housing, suspension device and installation site (ceiling, suspension, truss) must not show deformation.
- All power cords must not show any damage, aging (for example porous wires) or sediments. Other, to the location related and usage aligned regulations will be observed by the skilled person and safety defects will be fixed.

### ATTENTION!

**Make sure that the fixture is disconnected from mains during all maintenance! It is important to unplug mains connector!**

- The fixture must be regularly cleaned from dirt and dust. Only use a wetted, lint-free cloth for cleaning the fixture. Never use alcohol or any kind of solvent for cleaning.
- Inside the fixture there are no parts which need maintenance. Maintenance & service must be done by authorized dealers only.
- Only use original spare parts!

### Advice!

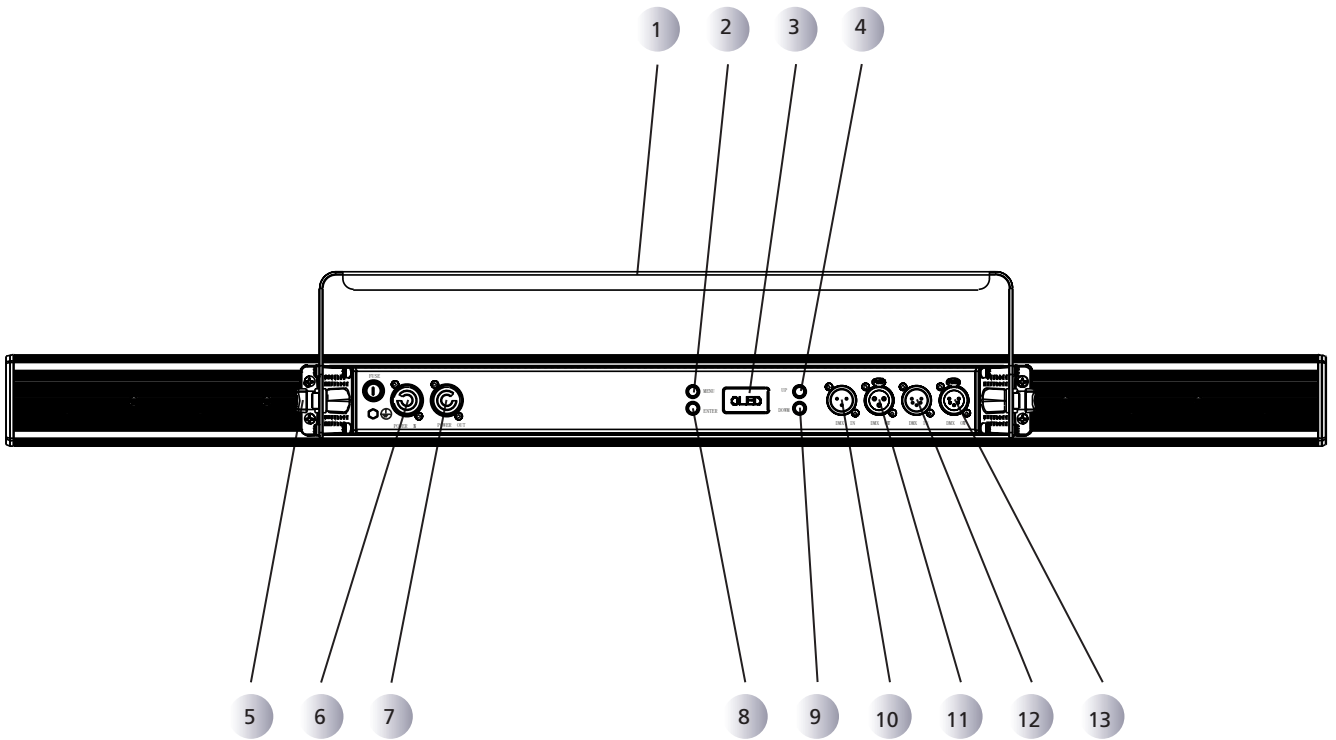
**If you have further questions, your local dealer will be happy to help you.**

## Operation

- This device has several DMX- and Stand-Alone-Modes. In DMX-mode, multiple devices can be connected and controlled by a controller. The device accepts the settings of the DMX-controller, as soon as the corresponding start address is set.
- Slave mode:  
Connect the DMX-output of the master device (XLR female) to the DMX-input of the slave device (XLR male). Set the slave device to Master/Slave Mode Slave (display shows: Master/Slave/<Slave>). The slave device accepts all settings of the master device (such as programm, programm speed, brightness, strobe rate).
- Display description:  
The display shows the different DMX-modes & the DMX-start address or programm, programm speed, etc.; the first line shows the mode, the second line the corresponding value.
- Button description:  
Press the MENU button to get access to the menu. Press the MENU button or UP/DOWN button repeatedly to select the mode. Press ENTER button to change the relevant topic; change the relevant topic by pressing UP/DOWN button to set the DMX-start address or any of the pre-programmed modes or the speed values. Use the UP button to increase the value. Use the DOWN button to decrease it. Press ENTER button again to save your settings and get access to next menu.

### NOTE!

**If you hold the UP or DOWN button for longer, the value changes faster. The device has an automatic storage for all settings. When you turn the device off and on again, it works with the previously set values**



- |   |               |    |                  |
|---|---------------|----|------------------|
| 1 | Yoke          | 8  | Enter-Button     |
| 2 | Menu-Button   | 9  | Down-Button      |
| 3 | OLED-Display  | 10 | DMX-Input 3 pin  |
| 4 | Up-Button     | 11 | DMX-Output 3 pin |
| 5 | Locking Screw | 12 | DMX-Input 5 pin  |
| 6 | Mains-Input   | 13 | DMX-Output 5 pin |
| 7 | Mains-Output  |    |                  |

# Display-Mode

display	function	
LITECRAFT SunX.10 - V *.*	SunX.10 V *.* *.* = software-version	shows the software version direct after switching on the unit (this messages appears after 3 seconds automaticly)
<DMX Adress> <***> <Mode* **Ch.	<DMX Adress> <***> *** = DMX-adress <Mode* **Ch. * ** = DMX channel mode	unit is in slave mode and is controlled by external values received by dmx-input (this menu is only for information - no settings available)
Auto Show <*****>	Auto <*****> ***** = <Auto 0> <Auto 1> <Auto 2> <Auto 3> <Auto 4> <Auto 5> <Auto 6> <Auto 7> <Auto 8>	9 pre-programmed chasers available (deactivation of all pre-programmed chasers by menu M&S Mode!)
	Speed <***> *** = <0 - 100>	setting speed in 100 steps for the pre-programmed chaser available <b>(default setting = Show Speed 100)</b>
Static <Dimmer>	Dimmer <***> *** = <0 - 255>	setting brightness in steps of 256
	Strobe <***> *** = <0-255>	setting flash rate in steps of 256
Dimmer Mode <*****>	Dimmer Mode <*****> ***** = <Off> <Dimmer 1> <Dimmer 2> <Dimmer 3>	setting dimmer curve Off = dimmer linear Dimmer 1 = dimmer s-curve 1 (slow) Dimmer 2 = dimmer s-curve 2 (medium) Dimmer 3 = dimmer s-curve 3 (fast) <b>(default setting = Off)</b>
Back Lite <***>	BackLite <***> *** = <On> <10S> <20S> <30S>	setting automatic switch off for lcd backlite (permanent on, switch off after 10, 20, 30 seconds) <b>(default setting = On)</b>
Information	Auto Test	setting automatic test programm
	Fixture Hours <***H> *** = fixture hours	display the fixture hours
	Version V* ** *.* = software version	display the software version



<b>Display-Mode</b>	display	function	
	DMX Address <***>	DMX Address <***> *** = DMX-adress	display the DMX-adress (5 Ch = <001-508>) (10 Ch = <001-503>) (15 Ch = <001-498>) <b>(default setting = 1)</b>
	DMX Channel <****>	Channel **** = <5 Ch> <10 Ch> <15 Ch>	setting DMX-channel mode (description of modes in next chart) <b>(default setting = 5 Ch)</b>
Master/Slave <*****>	Master/Slave <*****> ***** = <Master> <Slave >	setting working mode (Master: control without external controller) (Slave: control with external controller) <b>(default setting = Slave)</b>	

## DMX-Mode

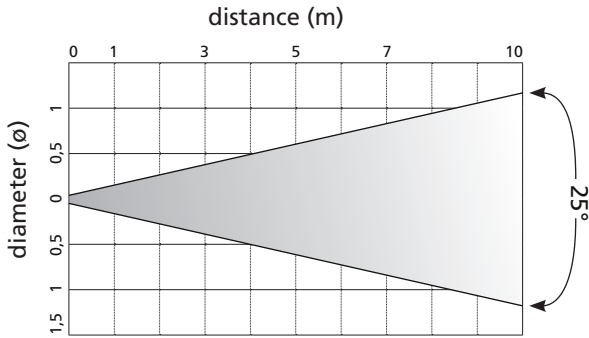
	mode	display	function
DMX-Mode	5 channel mode	Channel < 5 Ch>	ch1 = master dimmer 000-255 stepless brightness ch2 = flash rate 000-010 no function 011-255 flash rate (s -> f) ch3 = programmes 000-010 no function 011-038 programm auto 1 039-066 programm auto 2 067-094 programm auto 3 095-122 programm auto 4 123-150 programm auto 5 151-178 programm auto 6 179-206 programm auto 7 207-234 programm auto 8 235-255 programm auto 0 ch4 = speed 000-255 stepless speed (s -> f) ch5 = dimmer mode 000-051 mode set on display 052-101 dimmer mode linear 102-152 dimmer mode 1 153-203 dimmer mode 2 203-255 dimmer mode 3
	10 channel mode	Channel < 10 Ch>	ch1 = dimmer LED 1 000-255 stepless brightness ch2 = dimmer LED 2 000-255 stepless brightness ch3 = dimmer LED 3 000-255 stepless brightness ch4 = dimmer LED 4 000-255 stepless brightness ch5 = dimmer LED 5 000-255 stepless brightness ch6 = dimmer LED 6 000-255 stepless brightness ch7 = dimmer LED 7 000-255 stepless brightness ch8 = dimmer LED 8 000-255 stepless brightness ch9 = dimmer LED 9 000-255 stepless brightness ch10 = dimmer LED 10 000-255 stepless brightness →



	mode	display	function
<b>DMX-Mode</b>	15 channel mode	Channel < 15 Ch>	<p>ch1 = dimmer LED 1 000-255 stepless brightness</p> <p>ch2 = dimmer LED 2 000-255 stepless brightness</p> <p>ch3 = dimmer LED 3 000-255 stepless brightness</p> <p>ch4 = dimmer LED 4 000-255 stepless brightness</p> <p>ch5 = dimmer LED 5 000-255 stepless brightness</p> <p>ch6 = dimmer LED 6 000-255 stepless brightness</p> <p>ch7 = dimmer LED 7 000-255 stepless brightness</p> <p>ch8 = dimmer LED 8 000-255 stepless brightness</p> <p>ch9 = dimmer LED 9 000-255 stepless brightness</p> <p>ch10 = dimmer LED 10 000-255 stepless brightness</p> <p>ch11 = programmings 000-010 no function 011-038 programm auto 1 039-066 programm auto 2 067-094 programm auto 3 095-122 programm auto 4 123-150 programm auto 5 151-178 programm auto 6 179-206 programm auto 7 207-234 programm auto 8 235-255 programm auto 0</p> <p>ch12 = speed 000-255 stepless speed (s -&gt; f)</p> <p>ch13 = master dimmer 000-255 stepless brightness</p> <p>ch14 = flash rate 000-010 no function 011-255 flash rate (s -&gt; f)</p> <p>ch15 = dimmer mode 000-051 mode set on display 052-101 dimmer mode linear 102-152 dimmer mode 1 153-203 dimmer mode 2 203-255 dimmer mode 3</p>

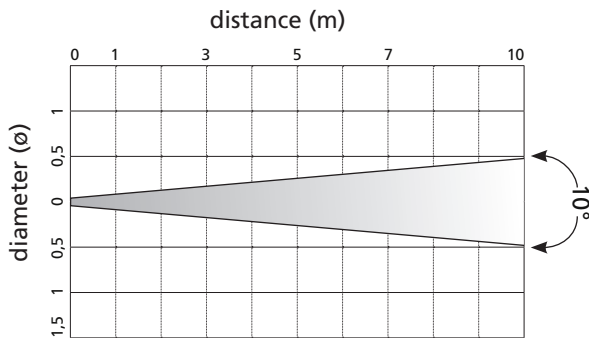
# Beam Specs

## beam spread chart



25°	Farbe	1 m	3 m	5 m	7 m	10 m
	Weiβ	16.874 lx	1.875 lx	675 lx	345 lx	169 lx

## beam spread chart



10°	color	1 m	3 m	5 m	7 m	10 m
	white	57.725 lx	6.414 lx	2.309 lx	1.178 lx	578 lx

## Technical Specification



voltage: 100-240 V 50/60 Hz



power consumption: 0,5 A @ 230 V



measurements: 99,2 x 6,9 x 19,6 cm



weight: 4,9 kg



DMX-channels: 5 / 10 / 15



fuse: T2 A / 250 V



ip rating: IP 20