

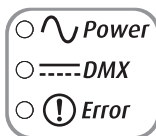
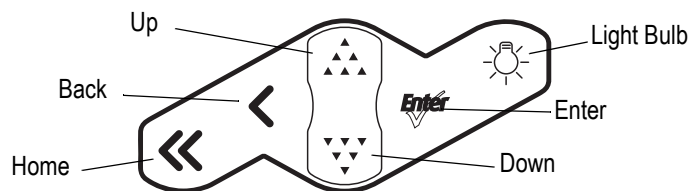
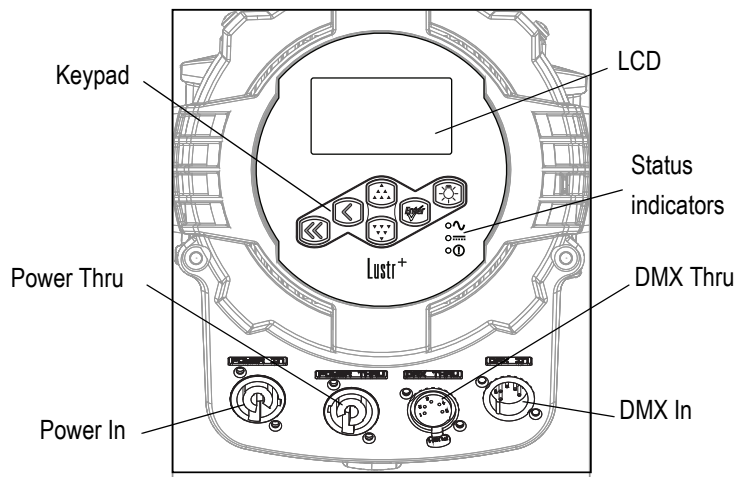
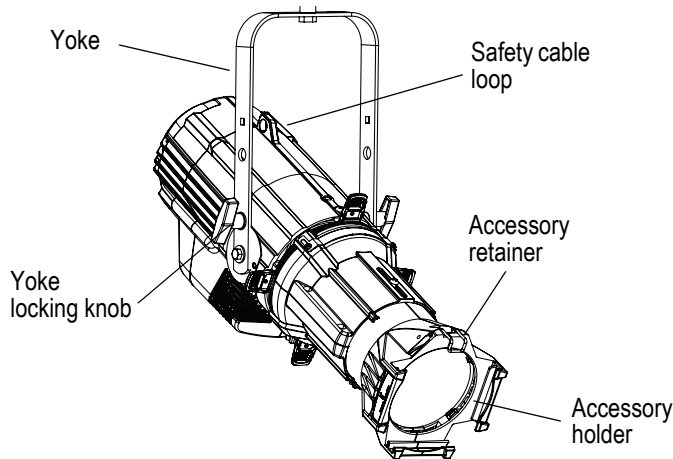
ETC Quick Guide



Source Four LED™ Profile

Overview

For complete information and step-by-step instructions, see the *Source Four LED Profile User Manual*. ETC documentation can be downloaded at www.etconnect.com.



Power – Indicates AC power is On.

DMX – Indicates control signal is Active.

Error – Indicates data error, high temperature, or other unusual status.



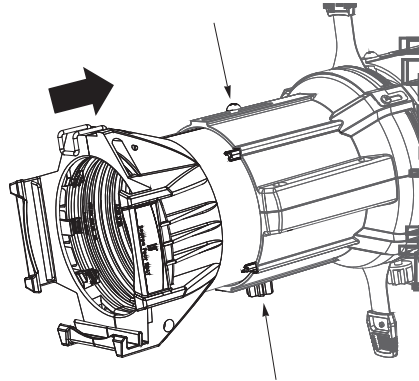
Corporate Headquarters ■ 3031 Pleasant View Road, P.O. Box 620979, Middleton, Wisconsin 53562-0979 USA ■ Tel +608 831 4116 ■ Fax +608 836 1736
London, UK ■ Unit 26-28, Victoria Industrial Estate, Victoria Road, London W3 6UU, UK ■ Tel +44 (0)20 8896 1000 ■ Fax +44 (0)20 8896 2000
Rome, IT ■ Via Pieve Torina, 48, 00156 Rome, Italy ■ Tel +39 (06) 32 111 683 ■ Fax +44 (0) 20 8752 8486
Holzkirchen, DE ■ Ohmstrasse 3, 83607 Holzkirchen, Germany ■ Tel +49 (80 24) 47 00-0 ■ Fax +49 (80 24) 47 00-3 00
Hong Kong ■ Rm 1801, 18/F, Tower 1 Phase 1, Enterprise Square, 9 Sheung Yuet Road, Kowloon Bay, Kowloon, Hong Kong ■ Tel +852 2799 1220 ■ Fax +852 2799 9325
Service: (Americas) service@etconnect.com ■ (UK) service@etceurope.com ■ (DE) techserv-hoki@etconnect.com ■ (Asia) service@etcasia.com
Web: www.etconnect.com ■ Copyright © 2014 ETC. All Rights Reserved. ■ Product information and specifications subject to change.
7460M1300-1.7.0 ■ Rev A ■ Released 2014-12 ■ ETC intends this document to be provided in its entirety.

ETC Source Four LED Quick Guide

Install

Install

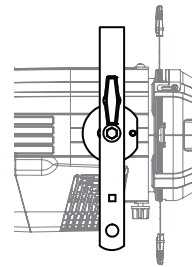
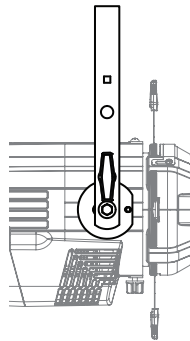
Lens Tube



- Step 1: Slide the lens tube into the shutter barrel.
- Step 2: Tighten the lens zoom knob.
- Step 3: Tighten the Phillips screw at the top of the lens barrel.

Install Fixture

General use position



Low clearance position

- Step 1: Hang or mount the fixture.
- Step 2: Attach a safety cable.
- Step 3: Insert additional accessories such as a top hat, etc.

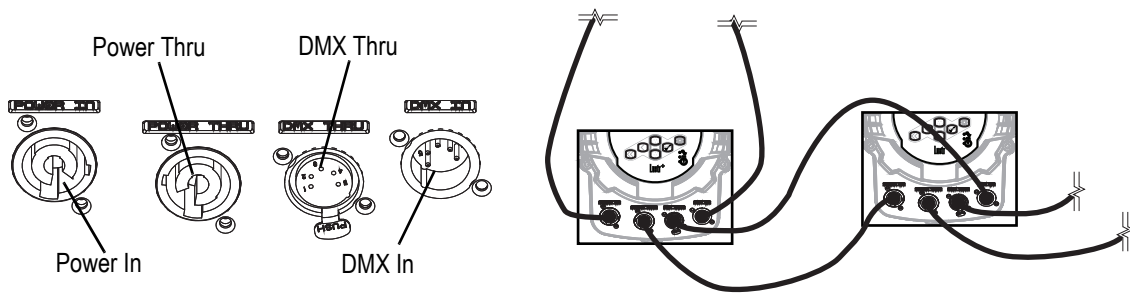


WARNING: *Use only hardware rated for total weight of fixture and accessories.
A safety cable (or other approved safety device) must be securely attached to the safety cable loop before loosening the clamp.
Disconnect the unit from power and DMX and allow the fixture to cool before removing or installing the shutter barrel or other adapters, and all cleaning and maintenance.*

ETC Source Four LED Quick Guide

Connect

Connect



- Step 1: Attach the power cable to the Power In connector.
- Step 2: Attach the 5-pin XLR cable to the DMX In connector (if using external control).
- Step 3: Connect the power cable to AC power.
- Step 4: Plug the XLR cable (if using) into the data source.
- Step 5: Link additional fixtures via Power Thru and DMX Thru connectors.

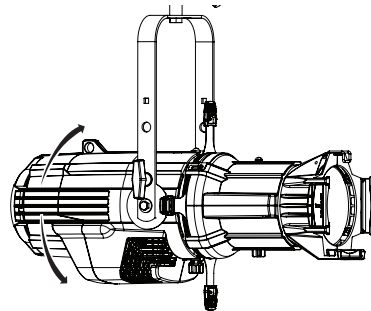
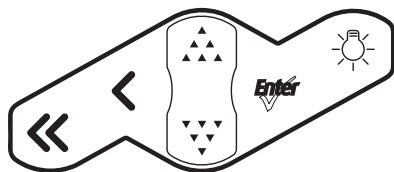





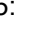
WARNING: *No more than nine total Source Four LED (four total Series 2 Lustr) fixtures on Power Thru (non-dimming, 100 to 240 VAC, 50/60 Hz)
Up to 32 device loads can be on one DMX daisy-chain.*



WARNING: *The fixture must be connected to a non-dimmable power source in order to avoid damage to its internal power supply and other electrical components. Dimming will damage the fixture and void the warranty.*

Focus

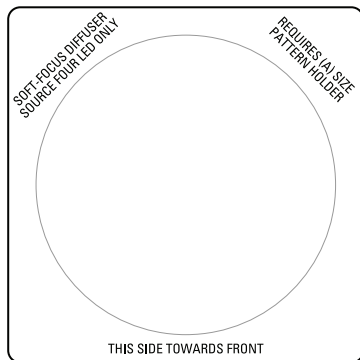


- Step 1: Supply power and wait for the fixture to boot up.
- Step 2: Press [] to open the **Presets & Sequences** menu.
- Step 3: Select **Focus** and press [] to turn on the LED array.
- Step 4: Adjust the fixture to the desired position.
- Step 5: Once focus is set, press [] to turn off the LED array and then [] to return to home screen.

ETC Source Four LED Quick Guide

Soft Focus Diffuser

Soft Focus Diffuser



- Step 1: Install the diffuser into an A-Sized Pattern holder.
- Step 2: Install a pattern in front of the diffuser, if needed.
- Step 3: Insert the pattern holder with diffuser into the Pattern holder slot, making sure the writing on the diffuser faces the front of the fixture.

Address

- Step 1: From the home screen, press [**Enter**] to open the **Main Menu**.
 - Step 2: In the **Main Menu**, scroll to **DMX Start Address**, press [**Enter**].
 - Step 3: Use [**▲▲▲**] or [**▼▼▼**] to scroll to the desired fixture address.
 - Step 4: Press [**Enter**] to select the address number.
 - Step 5: Press [**◀◀**] to return to the home screen.
- * DMX address is not needed if using standalone or master/slave control.

Features

Quick Color (Lustr+, Series 2 Lustr, Series 2 Daylight HD, Series 2 Tungsten HD, and Studio HD)

Quick Color allows you to easily select a color and its intensity from a predefined menu. This feature overrides any presets or sequences previously selected and is only available when there is no external DMX signal to the fixture.



Note: *Exiting the Quick Color menu will return the fixture to the state it was in prior to entering the menu.*

To select a Quick Color:

- Step 1: Within the **Presets and Sequences** screen, scroll to **Quick Color** and press [**Enter**].
- Step 2: Scroll to **Color** and press [**Enter**].
- Step 3: Scroll to the desired color and press [**Enter**].
- Step 4: Scroll to **Intensity** and press [**Enter**].
- Step 5: Scroll to adjust the fixture's intensity and press [**Enter**] to commit the selection.
- Step 6: To exit the Quick Color menu, press [**◀◀**].

ETC Source Four LED Quick Guide

Features

Quick Setup

- Step 1: On the **Main Menu**, scroll to **Quick Setups** and press [**Enter**].
- Step 2: Scroll to the desired setup and then press [**Enter**].
An asterisk (*) indicates which setup is active.
- Step 3: Press [**<<**] to return to the home screen.
The top line of the home screen displays the name of the active setup.

Individual features and settings are adjustable under the Advanced menu. Consult the User Manual for more information on advanced features of Source Four LED fixtures.

Lustr+, Series 2 Lustr, Series 2 Daylight HD, Series 2 Tungsten HD, and Studio HD

Quick Setup	Profile	Features	Recommended For:
General	Direct	Standard dimming curve, regulated output for color consistency.	Factory default: for general purpose use, including interior architectural applications
Stage	HSI Plus 7 enabled	Incandescent dimming curve, regulated output for color consistency, 3200K white point setting	Theatrical lighting: duplicates the color and dimming behavior of tungsten and stage lighting fixtures
High Impact	RGB	Quick dimming curve, boost mode for maximum intensity, 5600K white point setting	Event lighting: enables quick response, simple RGB control and strobe channel for maximum effect usage
Studio	Studio	Linear dimming curve, regulated output mode for color consistency	Studio factory default: enables three-parameter control of white light (intensity, white point, and tint) via DMX from a console or console-free fixture display

Tungsten and Daylight

Quick Setup	Profile	Features	Recommended For:
Studio	Studio	Linear dimming curve, regulated output for intensity stability	Enables control of intensity from luminaire's user interface; no console required
Single Channel	Direct	Standard dimming curve, regulated output for color consistency	For general purpose architectural use
Stage	Direct	Incandescent dimming curve, regulated output	Matches conventional luminaire performance

ETC Source Four LED Quick Guide

Features

DMX Profiles

Lustr+, Series 2 Lustr, Series 2 Daylight HD, Series 2 Tungsten HD, and Studio HD

DMX Profile	DMX Channels	Channel Assignments	Notes
Direct	10	See Channel assignments in direct mode chart below	Direct control of each individual color with a separate master intensity channel. Color calibration of LEDs is not active in this mode. The ten-channel profile will produce the highest quality color cross fades.
RGB	6 (Ch. 4 not used)	1-Red	Effectively addresses all seven colors via three channels of control. RGB profile will produce medium quality color cross-fades
		2-Green	
		3-Blue	
		4 - n/a	
		5 - Strobe	
		6-Fan Control	
HSI	6	1 - Hue (coarse)	High resolution hue (two channels), saturation, and intensity control. HSI mode will produce color cross-fades around the color space.
		2 - Hue (fine)	
		3 - Saturation	
		4 - Intensity	
		5- Strobe	
		6-Fan Control	
HSIC	7	1 - Hue (coarse)	High-resolution hue, saturation, and intensity control as above, with the addition of a color point channel to adjust the color temperature of the fixture in both white light and color. Color cross-fade performance is the same as HSI.
		2 - Hue (fine)	
		3 - Saturation	
		4 - Intensity	
		5 - Strobe	
		6 - Fan Control	
		7-Color Point (CCT)	
Studio	6 (Ch. 4 not used)	1 - Intensity	Controls fixture as a white light unit. If no DMX is present, (i.e. console input), a fixture can be adjusted for these three parameters on the U/I at the back of the unit.
		2 - Color Point (CCT)	
		3 - Tint	
		4 - n/a	
		5 - Strobe	
		6 - Fan Control	
Additional profile options (on following page)			
Plus 7	Seven additional precision color-control override channels are available for use with RGB, HSI, and HSIC input profile settings. For example HSI with 'Plus 7' enabled becomes an 15-channel profile:		The desired color and intensity are achieved by using the HSI or RGB channels Placing the Plus7 channel at a value over 51% gives the fixture additional channels in its profile. Channels 9-15 represent the native colors of the fixture and allow the operator to adjust individual color channels to fine tune the color output.
	See Plus7 profile options chart below		
Strobe	Variable strobe control: 0% is no strobe. The fixture output will strobe more rapidly as the strobe channel value approaches 100%.		

ETC Source Four LED Quick Guide

Features

Channel assignments in direct mode

Channel Number	Series 1 Studio HD	Series 1 Lustr+	Series 2 Lustr	Series 2 Daylight HD	Series 2 Tungsten HD
1	Red	Red	Red	Red	Red
2	Red Orange	White	Lime	(not used)	Red Orange
3	Mint	Amber	Amber	Mint	Mint
4	Blue	Green	Green	Blue	Blue
5	Indigo	Cyan	Cyan	Indigo	Indigo
6	n/a	Blue	Blue	Intensity	Intensity
7	n/a	Indigo	Indigo	Strobe	Strobe
8	Intensity	Intensity	Intensity	Fan Control	Fan Control
9	Strobe	Strobe	Strobe	(not used)	(not used)
10	Fan Control	Fan Control	Fan Control	(not used)	(not used)

Plus7 profile options

Channel Number	Series 1 Studio HD	Series 1 Lustr+	Series 2 Lustr	Series 2 Daylight HD	Series 2 Tungsten HD
1	Hue (course)	Hue (course)	Hue (course)	Intensity	Intensity
2	Hue (fine)	Hue (fine)	Hue (fine)	Color Temp	Color Temp
3	Saturation	Saturation	Saturation	Tint	Tint
4	Intensity	Intensity	Intensity	Strobe	Strobe
5	Strobe	Strobe	Strobe	Fan Control	Fan Control
6	Fan Control	Fan Control	Fan Control	n/a	n/a
7	n/a	n/a	n/a	Plus7 Control on/off	Plus7 Control on/off
8	Plus7 Control on/off	Plus7 Control on/off	Plus7 Control on/off	Red	Red
9	Red	Red	Red	Mint	Red Orange
10	Red Orange	White	Lime	Blue	Mint
11	Mint	Amber	Amber	Indigo	Blue
12	Blue	Green	Green	(not used)	Indigo
13	Indigo	Cyan	Cyan	(not used)	(not used)
14	(not used)	Blue	Blue	(not used)	(not used)
15	(not used)	Indigo	Indigo	(not used)	(not used)

Tungsten and Daylight

DMX Profile	DMX Channels	Channel Assignments	Notes
Studio	3	1 - Intensity	Control of parameters is also enabled from the luminaire's user interface. No console is required
		2 - Strobe	
		3 - Fan Control	
Direct	3	1 - Intensity	
		2 - Strobe	
		3 - Fan Control	

ETC Source Four LED Quick Guide

Typical Power Consumption

Typical Power Consumption

Lustr+

	90V	120V	240V
Idle Power / Current	4.27W / 0.084A	4.38W / 0.079A	4.2W / 0.068A
100% Boost Power / Current	130.8W / 1.48A	129.9W / 1.11A	126.4W / 0.576A

Series 2 Lustr

	90V	120V	240V
Idle Power / Current	6.77W / 0.144A	6.9W / 0.149A	6.5W / 0.155A
100% Boost Power / Current	173.0W / 1.94A	171.0W / 1.44A	168.0W / 0.783A

Studio HD

	100V	120V	240V
Idle Power / Current	5.69W / 0.096A	5.71W / 0.091A	5.35W / 0.073A
100% Boost Power / Current	129.2W / 1.3A	127.1W / 1.07A	126.2W / 0.564A

Daylight

	90V	120V	240V
Idle Power / Current	4.3W / 0.083A	4.35W / 0.077A	4.04W / 0.066A
100% Boost Power / Current	165.2W / 1.87A	163.3W / 1.39A	160.3W / 0.718A

Tungsten

	100V	120V	240V
Idle Power / Current	4.3W / 0.085A	4.35W / 0.078A	4.0W / 0.065A
100% Boost Power / Current	159.8W / 1.81A	157.4W / 1.35A	154.8W / 0.695A

Series 2 Daylight HD

	100V	120V	240V
Idle Power / Current	5.58W/0.093A	5.69W/0.088A	4.9W/0.06A
100% Boost Power / Current	246.6W/2.481A	245.2W/2.58A	242.3W/1.111A

Series 2 Tungsten HD

	100V	120V	240V
Idle Power / Current	5.64W/0.095A	5.71W/0.091A	4.9W/0.061A
100% Boost Power / Current	210.1W/2.115A	208.5W/1.752A	205.4W/0.963A