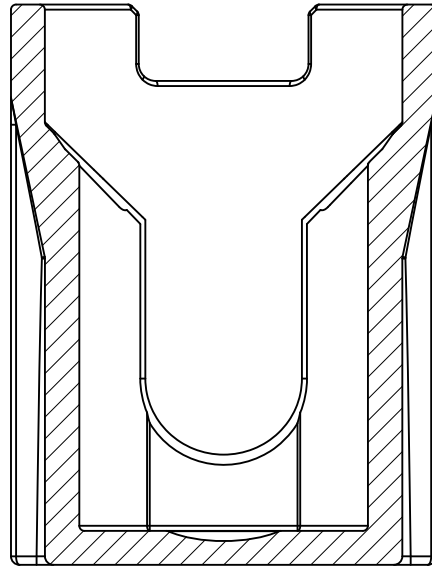
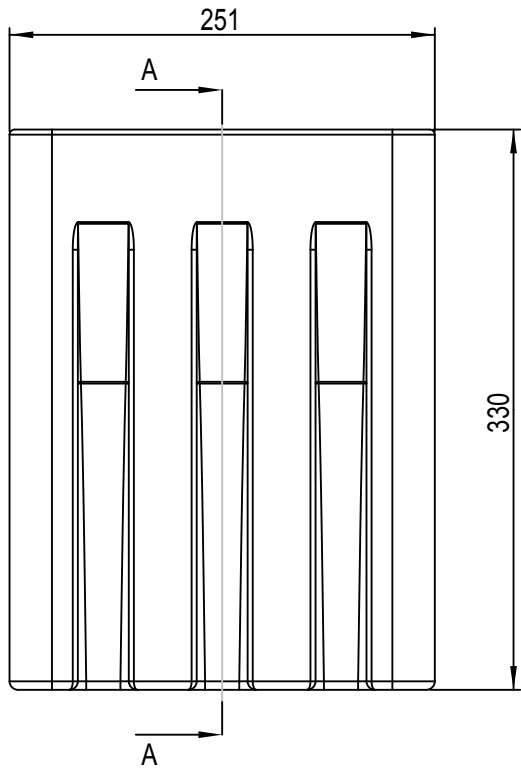
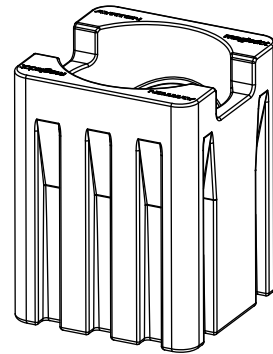
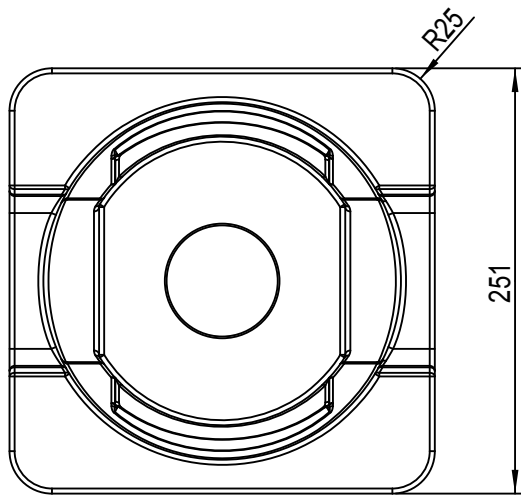


Dimension tolerance (millimetre)	Version
± 5	1.0


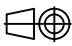


Section A-A



A	13-Mar-15	SW	CREATION	—	—
Indice	Date	Created by	Modification :	Approved on	Approved by

Logiciel : Observation : -

Project : A61		Project Name : MAGICDOT-R		Code: 015159	
A4	MAGICDOT-R PU FOAM			Scale: 1/4 	
				Material: PU	