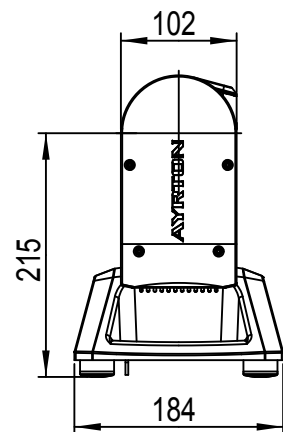
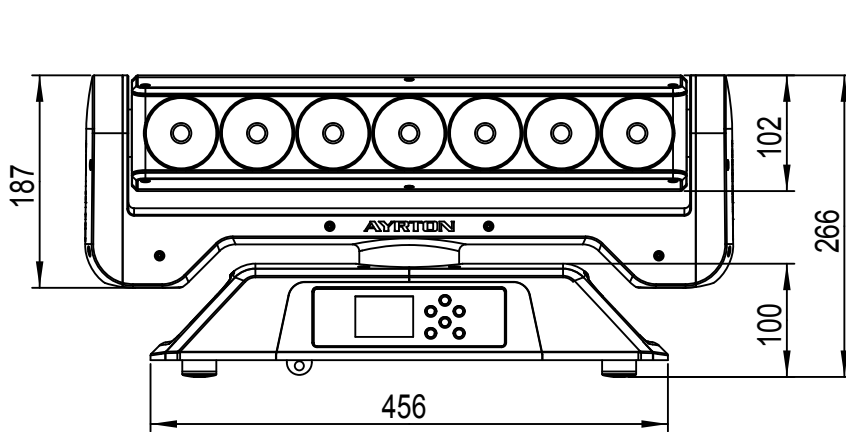
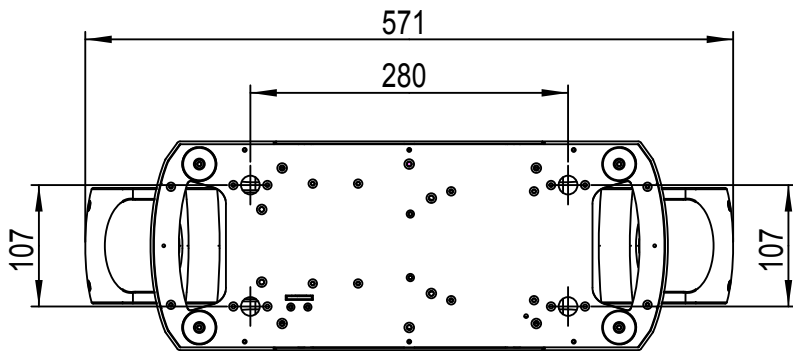
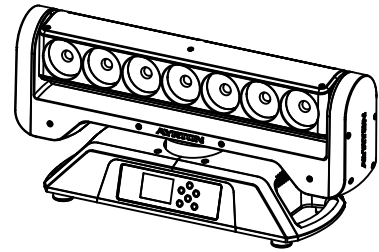


Dimension tolerance (millimetre)	Version
± 5	1.0



A	29-Apr-14	SW	CREATION	—	—
Indice	Date	Created by	Modification :	Approved on	Approved by

Logiciel :		Observation : -			 AYRTON Light in action www.ayrton.eu
Project : A84		Project Name : MAGICBLADE-R		Code:	
A4	MAGICBLADE-R LUMINAIRE			Scale: 3/20	
				Material:	