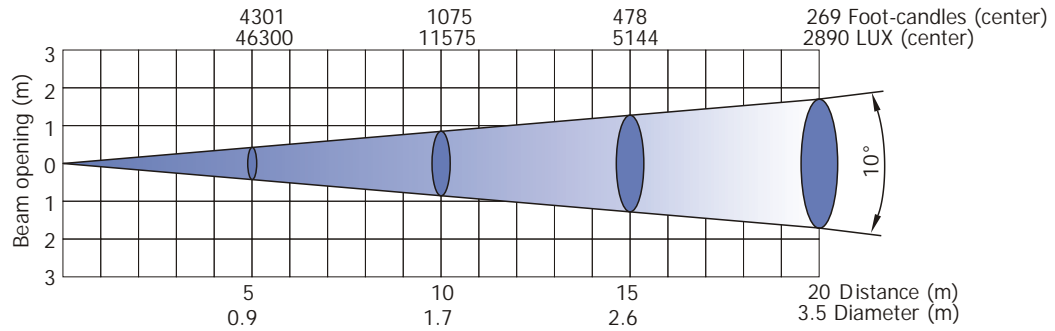


Robin 600E Spot

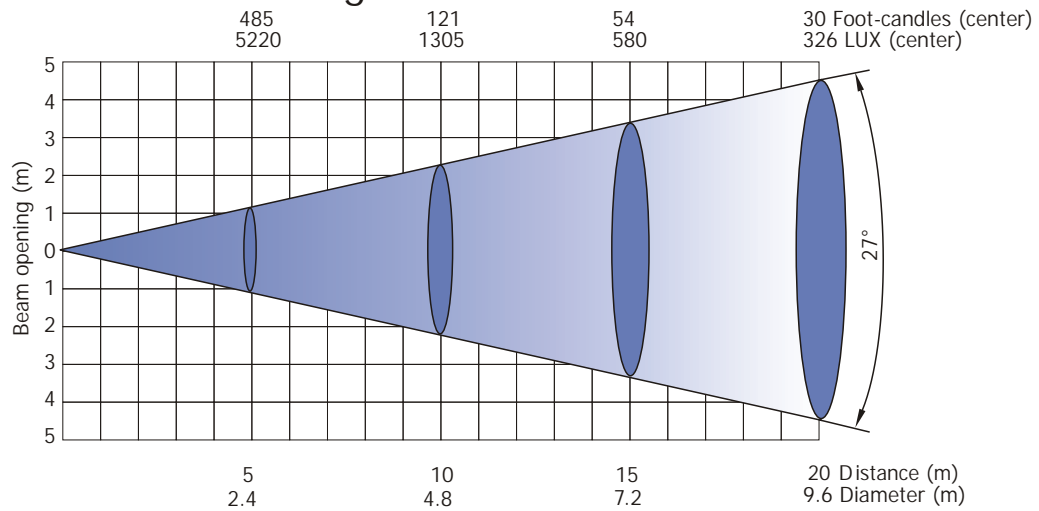
Photometric Diagrams

Lamp: MSR Gold 575/2 MiniFastFit

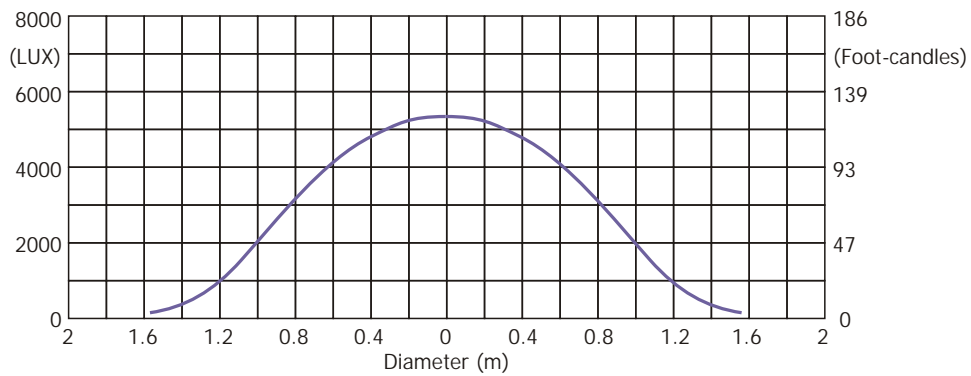
Beam angle 10° - Min. zoom



Beam angle 10° with frost



Beam angle 10° with frost, distance=5m

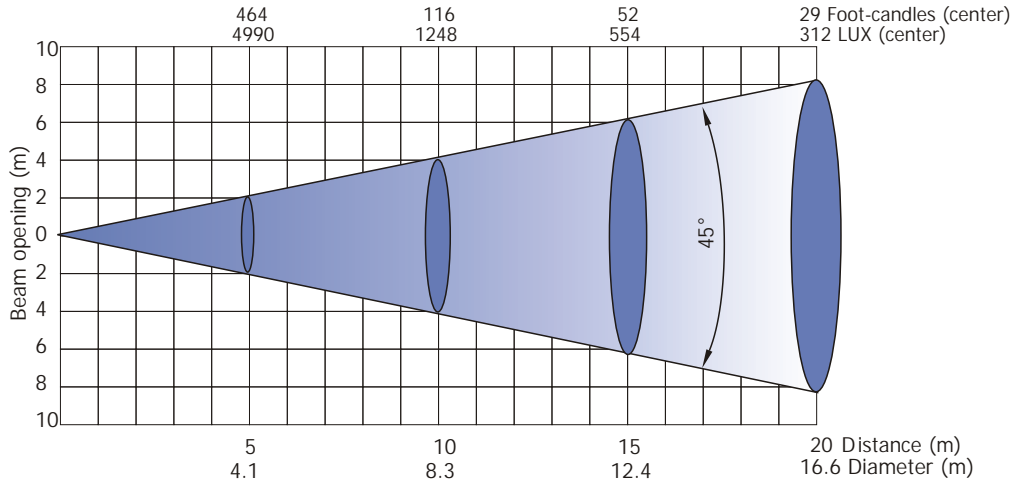


Robin 600E Spot

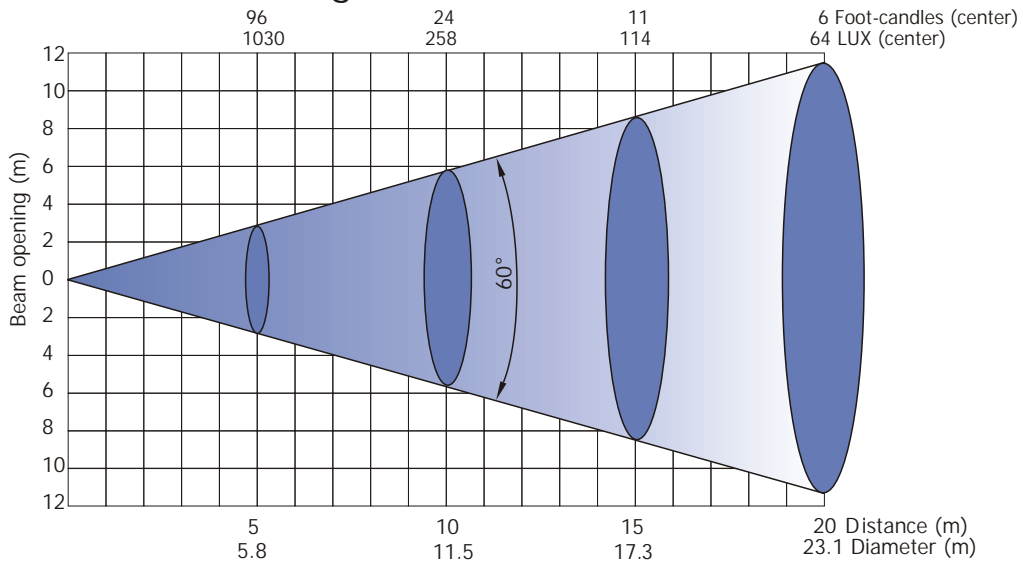
Photometric Diagrams

Lamp: MSR Gold 575/2 MiniFastFit

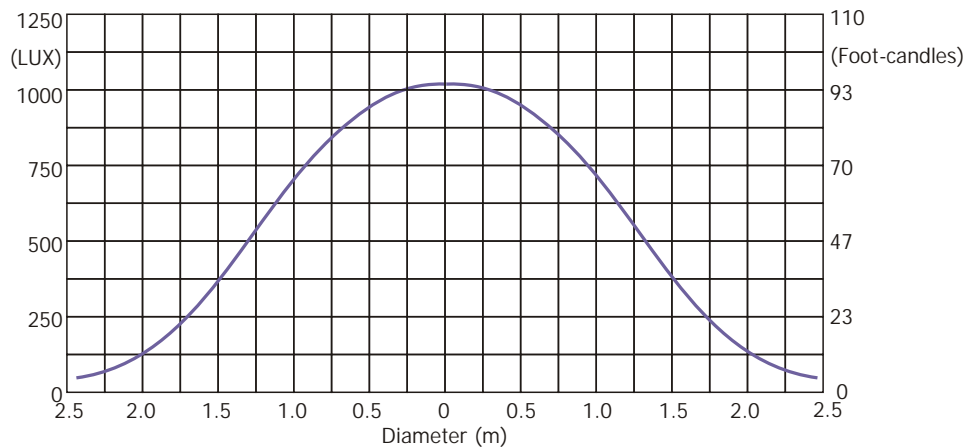
Beam angle 45° - Max. zoom



Beam angle 45° with frost



Beam angle 45° with frost, distance=5m

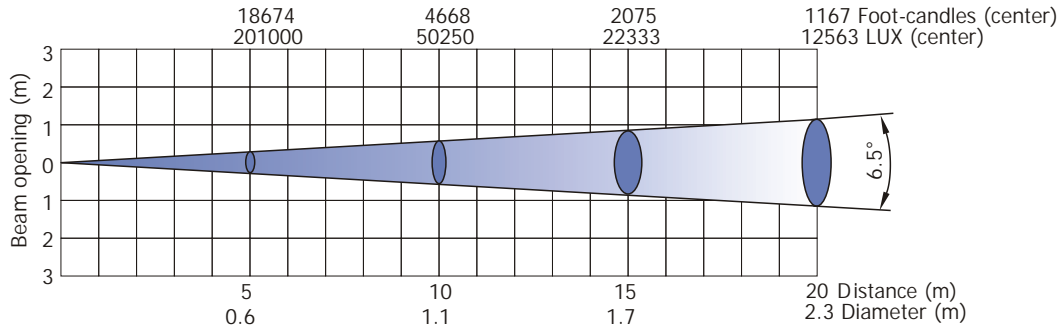


Robin 600E Beam

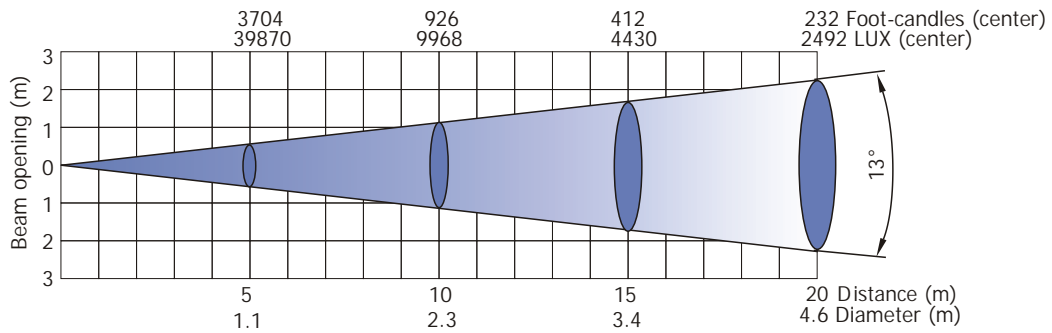
Photometric Diagrams

Lamp: MSR Gold 575/2 MiniFastFit

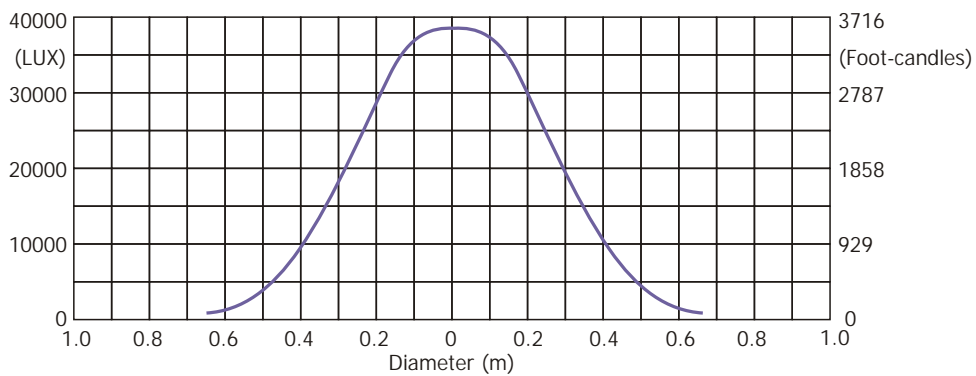
Beam angle 6.5°



Beam angle 6.5° with frost



Beam angle 6.5° with frost, distance=5m



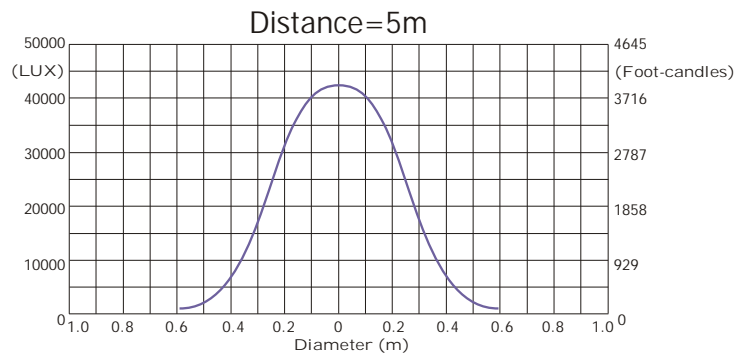
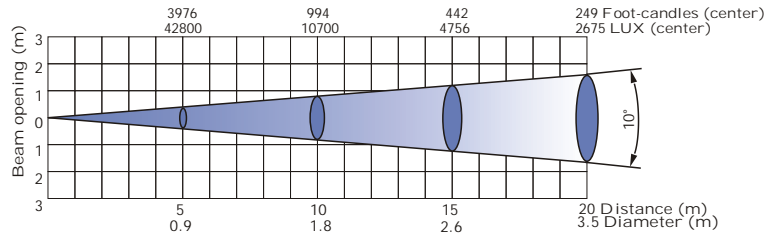
Robin 600E Wash

Photometric Diagrams

FRESNEL LENS

Lamp: MSR Gold 575/2 MiniFastFit

FRESNEL LENS Beam angle 10° - Min. zoom



FRESNEL LENS Beam angle 35° - Max. Zoom

